

Barudan

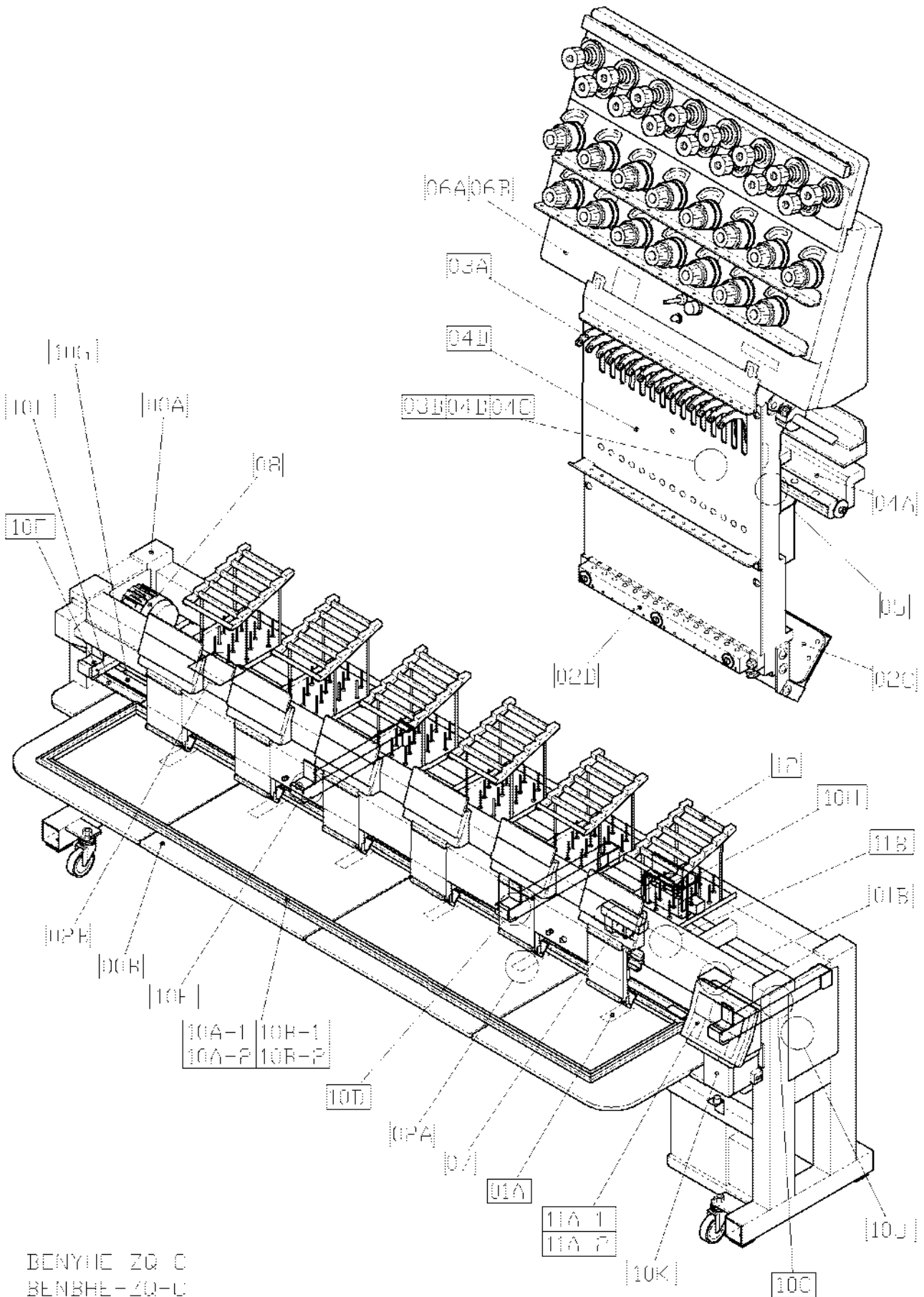
HIGH SPEED AUTOMATIC EMBROIDERY MACHINE

BENYHE-ZQ-C

BENBHE-ZQ-C

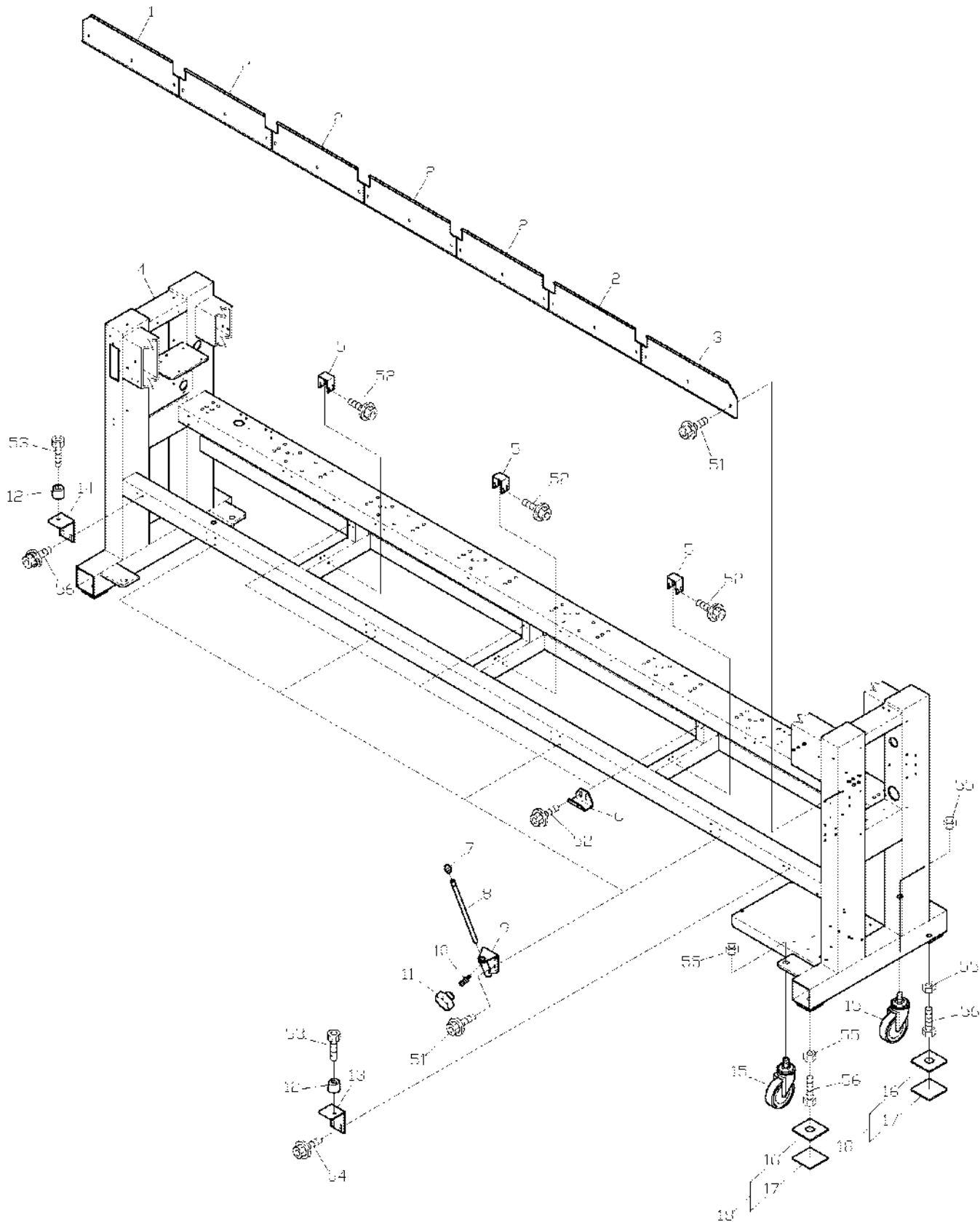
PARTS LIST

Machine layout (BFNYHF-7Q-C)



BFNYHF-7Q-C
BFNBHE-7Q-C

010608



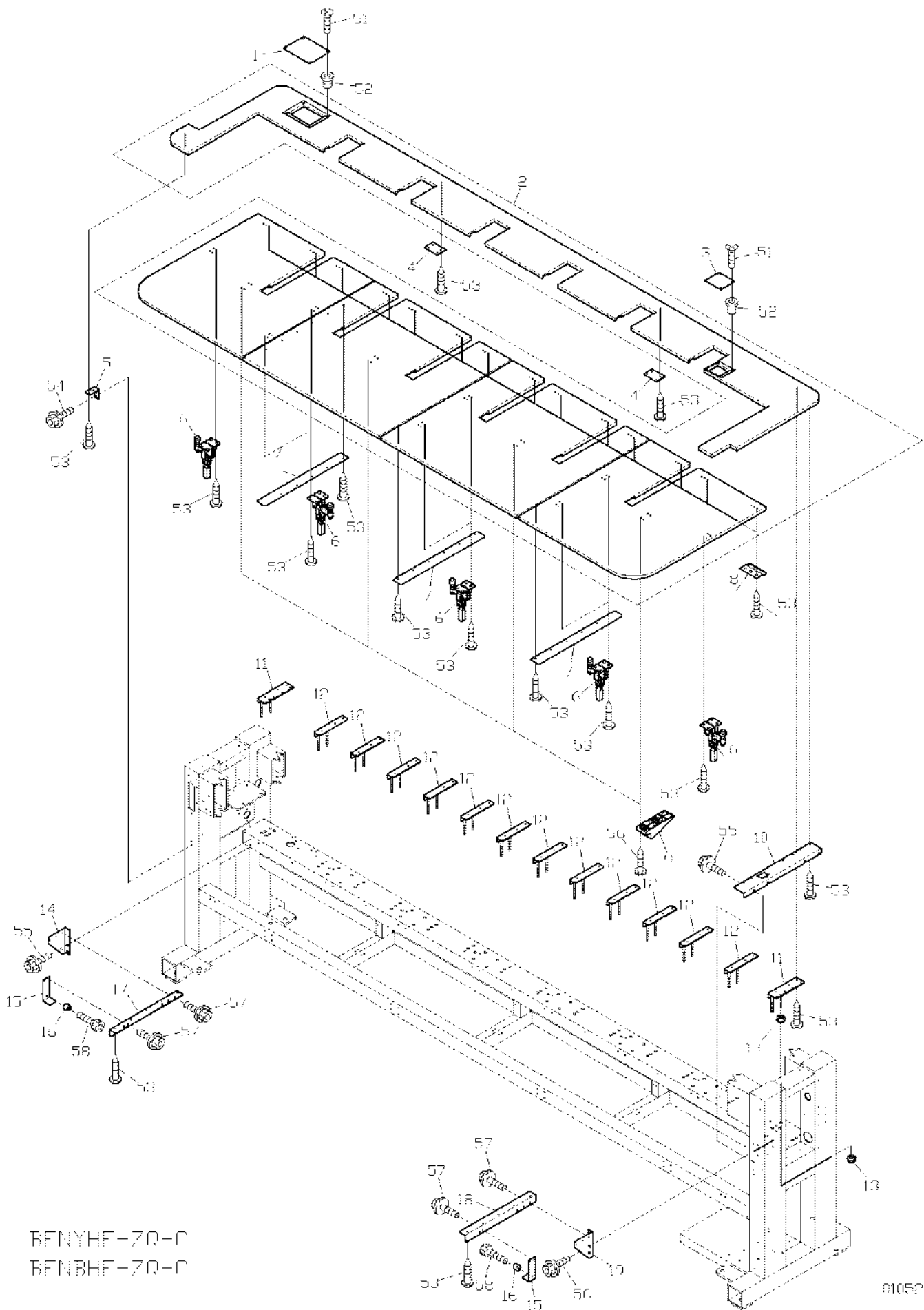
BFNYHF-70-C
BFNRHF-70-C

010606

00A TABLE - FRAME A

ITEM	LIST NO.	DESCRIPTION	Q'TY	NOTE
1	SC140060	Oil store(L) P=520	1	
2	SC140070	Oil store(Center) P=520	3	4T
			5	6T
3	SC140050	Oil store(R) P=520	1	
4	SC160060	Frame a'ssy BENYHE-ZQ5-C04 450x520/520	1	4T
	SC160000	Frame a'ssy BENYHE-ZQ5-C06 450x520/520	1	6T
5	SC140130	Table bracket	2	4T
			3	6T
6	SC140120	Table stopper	2	4T
			3	6T
7	A9014161	Rubber foot for pipes (C-31-5)	3	4T
			4	6T
8	SC140110	Table stand	3	4T
			4	6T
9	SC140080	Table stand bracket	3	4T
			4	6T
10	SC140180	Knob bolt	3	4T
			4	6T
11	A9014162	Seven lobe knob(KSF-40-M8)	3	4T
			4	6T
12	A9014163	Color rubber foot(C-30-FRB-3225)	2	
13	SC140160	Support table catch stay(R)	1	
14	SC140170	Support table catch stay(L)	1	
15	A9019049	Caster(SSC-125NU)	4	
16	SC160010	Mount base(Compact machine)	4	
17	SC160020	Vibroisolating pad(Compact machine)	4	
18	SC160030	Mount base a'ssy(Compact machine)	4	
51		Hex.socket flange bolt M6x12(Uni chrome)		
52		Hex.socket flange bolt M5x10(Uni chrome)		
53		Hex.socket bolt M5x15(With adhesive) Black(Screw lock red)		
54		Hex.socket flange bolt M5x12		
55		Hex.nut M20		
56		Hex.bolt M20x75		

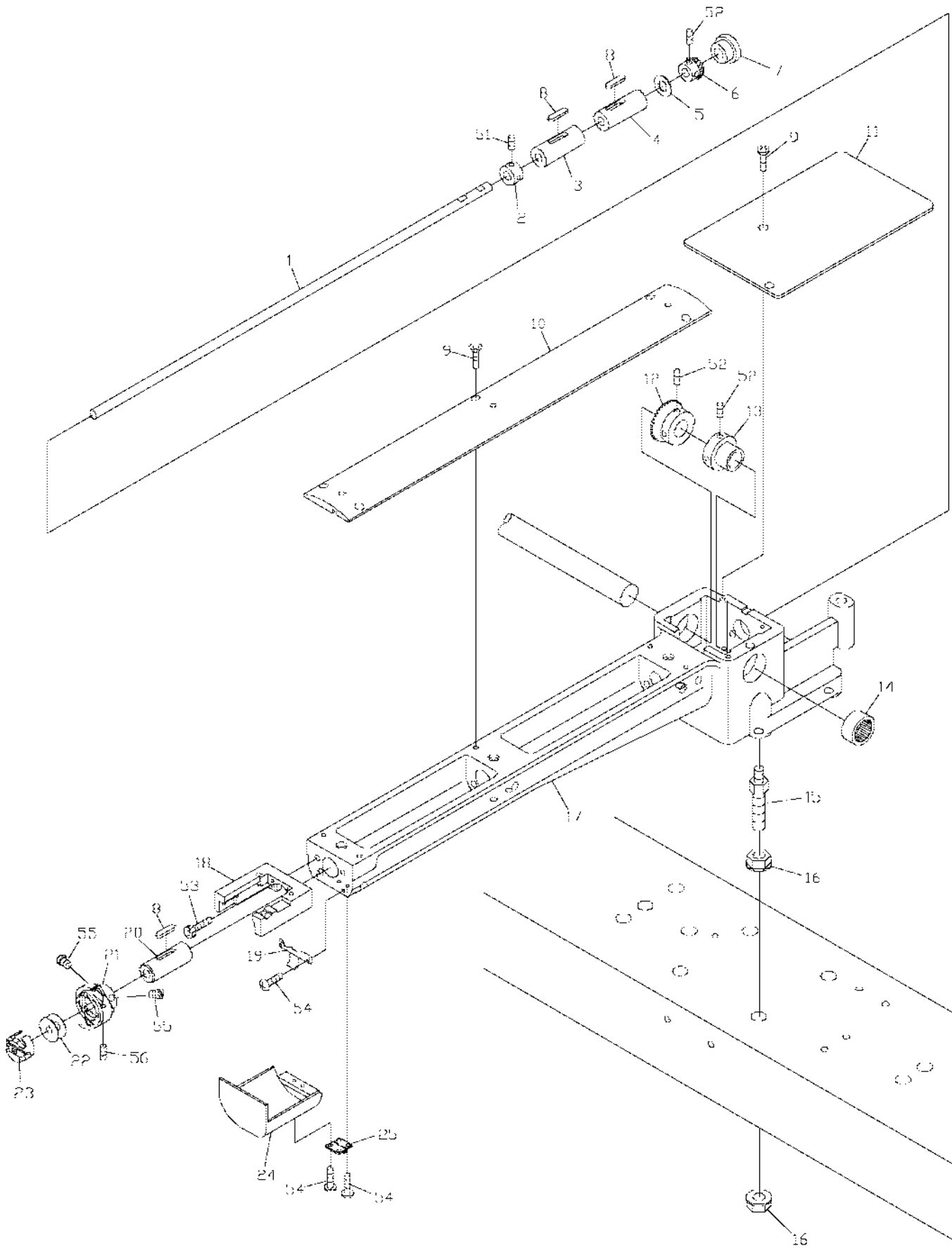
OODB Table Frame B



BFNYHF-7Q-C
BFNBHF-7Q-C

00B TABLE - FRAME A

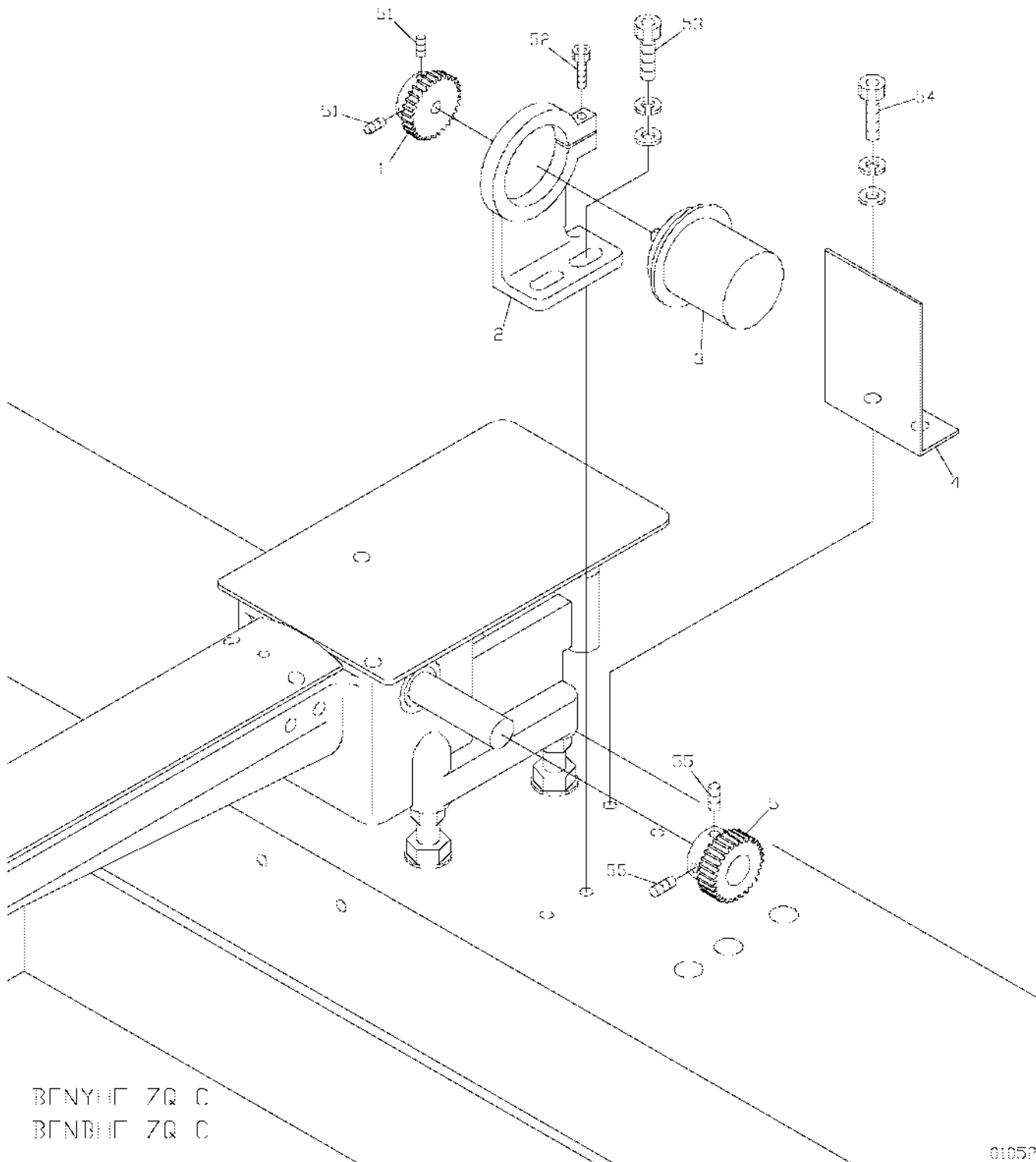
ITEM	LIST NO.	DESCRIPTION	Q'TY	NOTE
1	SC120030	Thread cut service cover	1	
2	SC120050	Table BENYHE-ZQ5-C04 450x520/520	1	4T
	SC120000	Table BENYHE-ZQ5-C06 450x520/520	1	6T
3	SC120040	Encoder service cover	1	
4	RQ120080	Jointed plate	2	
5	SC140090	Table support angle	1	
6	A9013070	Toggle clamp(KAKUTA No.40A)	4	4T
			5	6T
7	SC120010	Joint plate	2	4T
			3	6T
8	HM140120	Table stopper(Front)	10	4T
			14	6T
9	SC120020	Table stand stopper	3	4T
			4	6T
10	SC140100	R-side stand table support	1	
11	SC140150	Connection table support	2	
12	SC140140	Table support(L=200)	8	4T
			12	6T
13	SC210010	Adjust nut M10	40	4T
			56	6T
14	SC140000	RH-table support bracket	1	
15	SC140040	Table support stay	2	
16	A9014163	Color rubber foot(C-30-FRB-3225)	2	
17	SC140030	LH-table support	1	
18	SC140020	RH-table support	1	
19	SC140010	LH-table support bracket	1	
51		Flush screw(Under cut) M4x8		
52		Rag nut(C) M4		
53		Pierce screw M5x19		
54		Hex.socket flange bolt M6x12		
55		Hex.socket flange bolt M6x12(Uni chrome)		
56		Pierce screw M5x23		
57		Hex.socket flange bolt M5x10(Uni chrome)		
58		Hex.socket bolt M5x15(Black)		



BLNYIL ZQ C
B NBH /Q C

01A HEAD - BED A

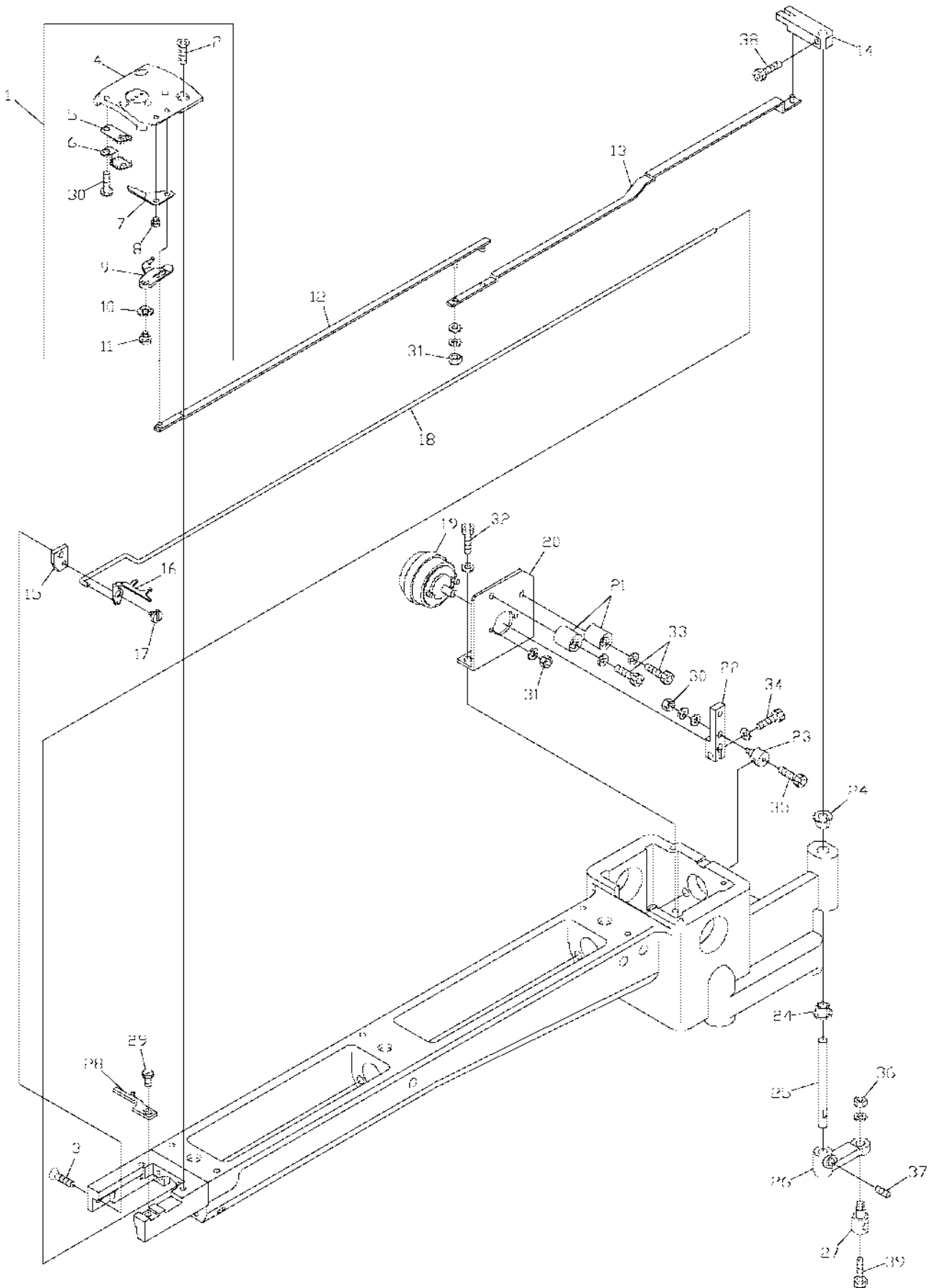
ITEM	LIST NO.	DESCRIPTION	Q'TY	NOTE
1	HS210021	Lower shaft	H X 1	Small bobbin
	HS210020	Lower shaft	H X 1	Middle bobbin
2	KF220290	Lower shaft collar	H X 1	
3	KF220230	Lower shaft metal(Front)	H X 1	
4	KF220220	Lower shaft metal(Rear)	H X 1	
5	A9012154	Thrust washer TRA-512	H X 1	
6	HP220712	Lower shaft gear(Small gear)	H X 1	
7	A9014059	Gromet MG(MG-1)	H X 1	
8	KL220140	Oil felt C(5x25x20)	H X 1	
9	KX250080	Throat plate set screw(Hex.socket)	H X 1	
10	HS210190	Cylinder bed cover	H X 1	
11	HS210042	Bed cover	H X 1	
12	HP321082	Lower shaft connecting gear(Large gear)	H X 1	
13	HP321090	Lower shaft connecting shaft collar	H X 1	
14	A9011111	Needle bearing(TLA-2012Z)	H X 1	
15	SC210000	Adjust bolt	H X 1	
16	SC210010	Adjust nut M10	H X 1	
17	HS210280	Bsrrel bed R-type(Small bobbin)	H X 1	Small bobbin
	HS210230	Bsrrel bed R-type(Middle bobbin)	H X 1	Middle bobbin
18	LA210080	Throat plate base	H X 1	Small bobbin
	HS210200	Throat plate base(Middle bobbin)	H X 1	Middle bobbin
19	KC250482	Barrel bed cover hold spring	H X 1	
20	KF220240	Vertical shaft metal(Upper)	H X 1	
21	KF220700	Rotating hook HSL-ATR(M1QTS)	H X 1	Small bobbin
	HB220010	Rotating hook HSM-A(M2Q) TS	H X 1	Middle bobbin
22	KF220530	Bobbin	H X 1	Small bobbin
	KF220421	Bobbin (HSM)(DBM)(For aluminum,middle bobbin)	H X 1	Middle bobbin
23	KF220981	Bobbin case(SC35-BNS-3)	H X 1	Small bobbin
	KF220302	Bobbin case BC-DBM(Z2)-NBL5 middle bobbin	H X 1	Middle bobbin
24	HS210030	Barrel bed cover	H X 1	
25	A9012027	Hinge(TH-TN-72)	H X 1	
51		Hex.socket set screw SM1/4 40x4		
52		Hex.socket set screw M5x6		
53		Hex.socket bolt M5x15		
54		Pan screw M3x6		
55		Screw(SM11/64 40x5)		
56		Set screw(SM11/64 40x5)		



BFNYUF 7Q C
BFNDUF 7Q C

01B HEAD - BED B

ITEM	LIST NO.	DESCRIPTION	QTY	NOTE
1	HP321720	Encoder driving gear No.2	1	
2	SC330130	Encoder retainer	1	
3	KN511020	Position coder TS5307N54	1	
4	SC250080	Encoder safety cover	1	
5	HP321710	Encoder driving gear No.1	1	
51		Hex.socket set screw M4x8		
52		Hex.socket bolt M4x18		
53		Hex.socket bolt M6x25		
54		Hex.socket bolt M6x15		
55		Hex.socket set screw M5x5		

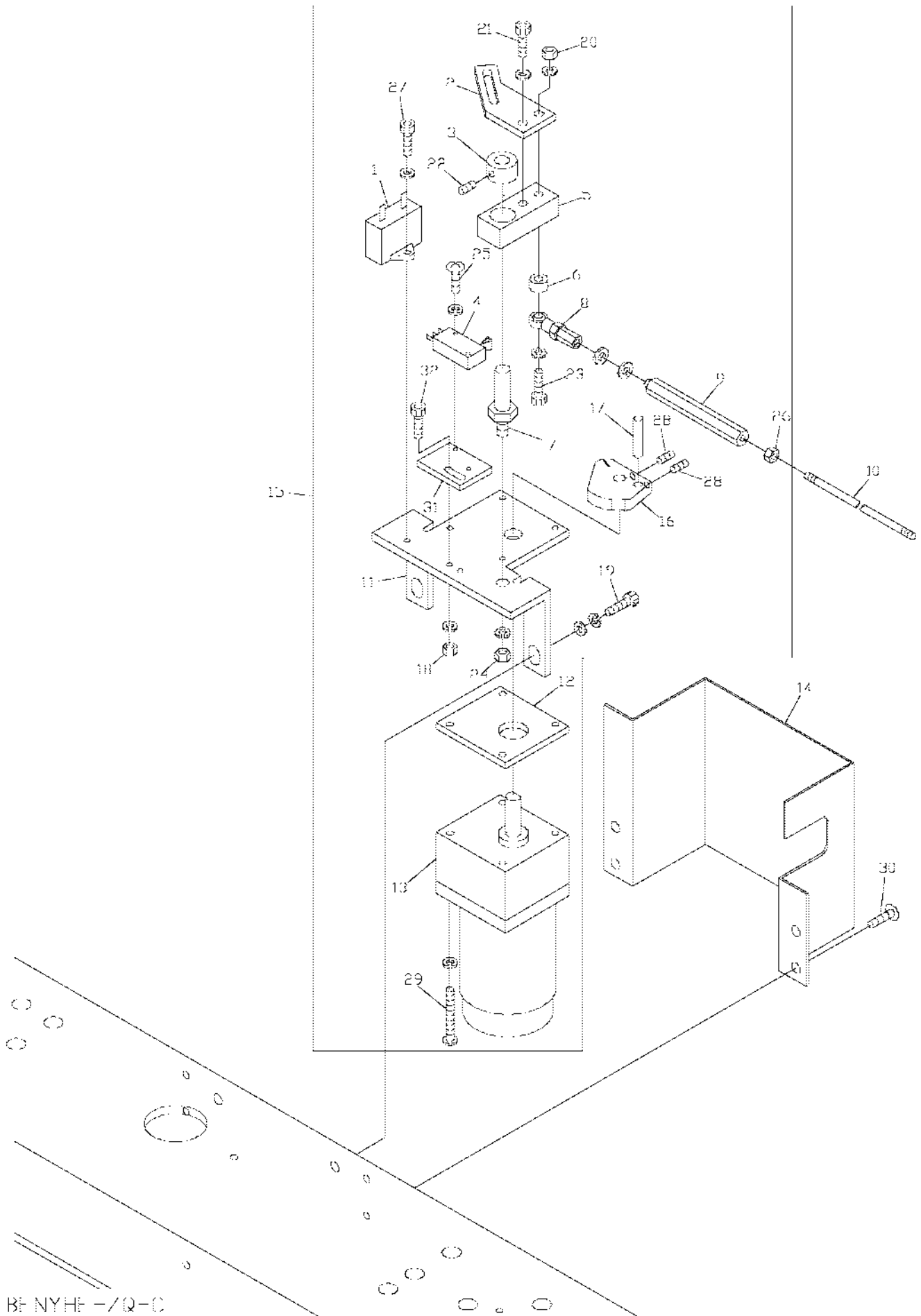


BENSHE YN/YS BBNYHE YN BBNYHE YN B BBNYHE ZQ BBNYHE ZQ B BBNYHE ZQ C
 BENRIHE YN/YS BENBHE YN BENBHE YN B BENBHE ZQ BENBHE ZQ B BENBHE ZQ C

02A THREAD CUT A

ITEM	LIST NO.	DESCRIPTION	Q'TY	NOTE
1	KX270282	Cylinder throat plate(R-type) a'ssy	H X 1	
2	KX250080	Throat plate set screw(Hex.socket)	H X 2	
3		Hex.socket flush screw M4x6		
4	KX270022	Cylinder throat plate(R type)	H X 1	
5	HT270160	Lower thread support stay upper CMP	H X 1	
6	HT270180	Lower thread support stay lower CMP	H X 1	
7	KN270961	Fixed knife	H X 1	
8	KX270010	Fixed knife set screw	H X 1	
9	KN270952	Drive knife	H X 1	
10	A9013066	Wave washer(WW5)(SK)	H X 1	
11	KC270970	Lower thread knife rotary shaft	H X 1	
12	HS210111	Lower thread knife drive rod A	H X 1	
13	HS210121	Lower thread knife drive rod B	H X 1	
14	HS210100	Lower thread knife drive lever upper	H X 1	
15	HS210050	Hook fixed stay	H X 1	
16	HS210143	Hook(For small bobbin)	H X 1	
	HS210142	Hook(For middle bobbin)	H X 1	
17	KC271001	Upper thread knife rotary shaft	H X 1	
18	HS210070	Hook drive rod	H X 1	
19	A9056030	Rotary solenoid 3ER25-35x3x8x9 M960371R(ETL)	H X 1	
20	HS210061	Solenoid stay(For small bobbin)	H X 1	
	HS210060	Solenoid stay(For middle bobbin)	H X 1	
21	KN272401	Stopper eccentric	H X 2	
22	KC271940	Soleroid lever A	H X 1	
23	HS210080	Connecting clamp	H X 1	
24	A9011173	DU bush with flange(MB0606-12FDU)	H X 2	
25	HS210090	Knife lever rotary shaft	H X 1	
26	KN271560	Knife lever	H X 1	
27	MT272500	Connecting bar clamp	H X 1	NSHE/NRHE
	HM270000	Connecting bar clamp	H X 1	Except for NSHE/NRHE
28	KX270000	Rotating hook bobbin case holder position bracket	H X 1	
29	KX270430	Screw(Cylinder)	H X 1	
30		Pan screw M3x3		
31		Hex.nut M3		
32		Hex.socket bolt M4x8(With plain washer)		
33		Hex.socket bolt M4x18		
34		Hex.socket bolt M4x10		
35		Hex.socket bolt M3x5		
36		Hex.nut M4		
37		Hex.socket set screw M5x6		
38		Hex.socket bolt M4x6		
39		Hex.socket bolt M4x8		

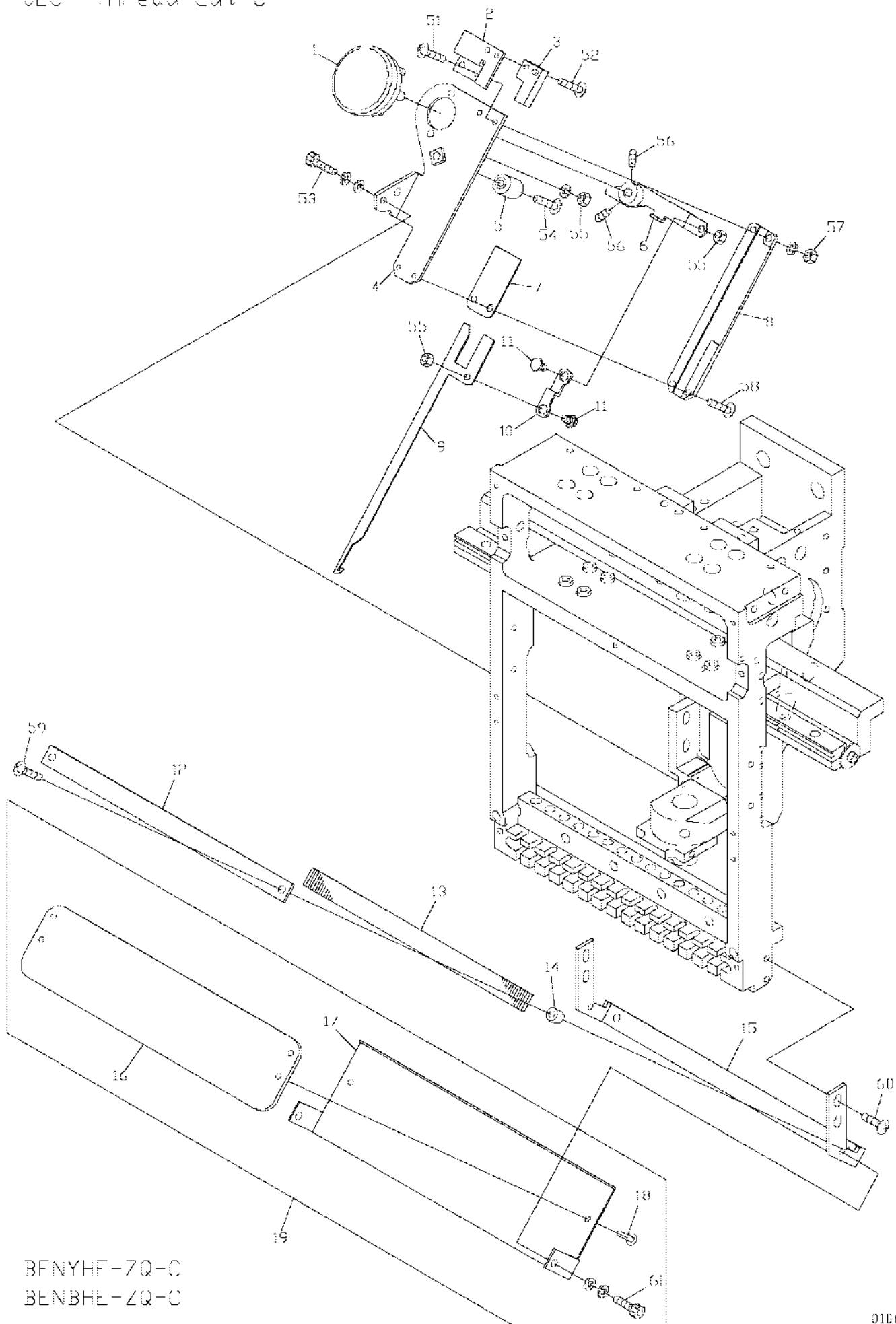
02B Thread cut B



BE NYHE - / Q - C
BE NBHE - / Q - C

02B THREAD CUT B

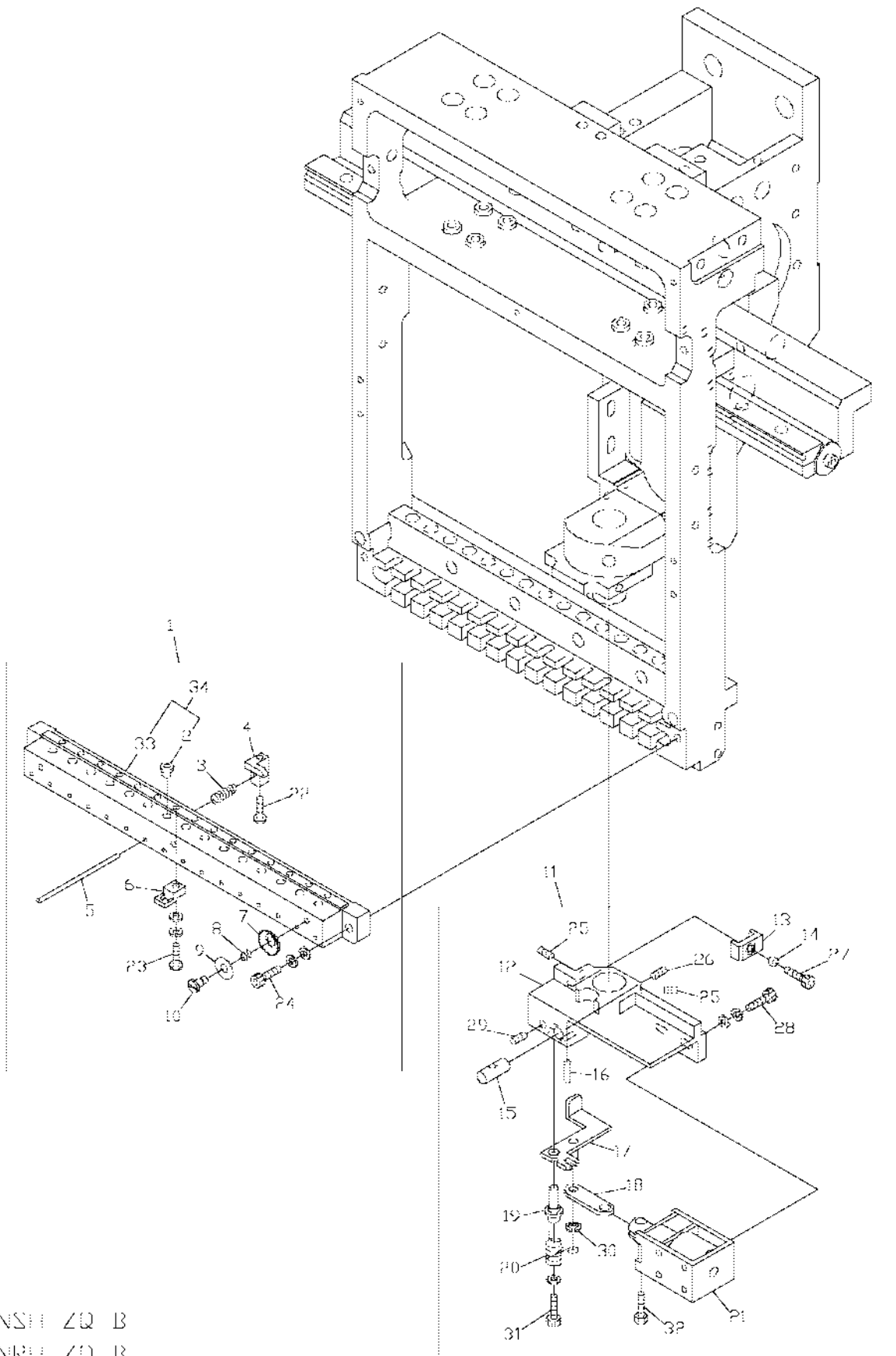
ITEM	LIST NO.	DESCRIPTION	Q'TY	NOTE
1	A9054040	Condenser(6µF-200V)	1	
2	HS270030	Motor cam lever	1	
3	KC330180	Collar 10 dia.	1	
4	A9052078	Micro switch(D2VW-01L2A-1)	1	
5	KN271782	Drive lever	1	
6	HM270010	Motor lever collar	1	
7	KN271750	Motor lever rotary shaft	1	
8	A9012002	Uniball joint(PR-6)	1	
9	KC330510	Hex.connecting rod(Large)	1	
10	KC330410	Lock connecting rod(2M)	1	
11	SC270000	Thread cutter motor bracket	1	
12	KC271430	Motor spacer	1	
13	A9065088	Reversible motor RM-H6A8PE-AAR3256RH-D36X115	1	
14	SC250020	Thread cutter central drive cover	1	
15	HS270110	Thread cutter drive a'ssy(Compact machine) ETL-HE-BMK5	1 SET	
16	HN270010	Drive cam(Brigde cylinder)	1	
17	KN272350	Drive pin	1	
18		Hex.nut M3		
19		Hex.socket bolt M8x20		
20		Hex.nut M6		
21		Hex.socket bolt M6x12		
22		Hex.socket set screw M5x6		
23		Hex.socket bolt M6x55		
24		Hex.nut M8		
25		Truss screw M3x15,M3x20		
26		Hex.nut M5		
27		Hex.socket bolt M4x10		
28		Hex.socket set screw M5x6		
29		Pan screw M5x65		
30		Truss screw M6x10		
31	HS270070	Switch fixed bracket(Cylinder)		
32		Hex.socket bolt M4x12		
	A9053082	Thread cutter motor cable 0.75x6x4M	1	



BFNYHF-7Q-C
BENBHE-2Q-C

02C THREAD CUT C

ITEM	LIST NO.	DESCRIPTION	Q'TY	NOTE
1	A9056031	Rotary solenoid 4ER67.5-33x3x8x9 M970385R(ETL)	H X 1	
2	KL270260	Switch stay	H X 1	
3	A9052028	Proximity switch(RS-603)	H X 1	
4	KL270081	Thread away base	H X 1	
5	KN272401	Stopper eccentric	H X 1	
6	KL270110	Thread away solenoid lever	H X 1	
7	KL270450	Hook guide plate	H X 1	
8	KL270091	Thread away hook guide	H X 1	
9	KL270101	Thread away hook	H X 1	
10	KL270120	Connecting plate	H X 1	
11	KL270130	Lever connecting pin	H X 2	
12	RD270040	Thread guard disk(Upper)	H X 1	
13	RD270020	Napped plate	H X 1	
14	KX270070	Thread guard disk spacer	H X 2	
15	RD270032	Thread guard disk bracket	H X 1	
16	RV250090	Oil catch felt	H X 1	
17	RV250111	Oil catch cover(Compact machine)	H X 1	
18	A9014158	Rivet 2.5 dia. x10.5 (Brass)	H X 2	
19	RV250121	Oil catch cover set(Compact machine)	H X 1	
51		Truss screw M3x10		
52		Truss screw M3x6		
53		Hex.socket bolt M4x12(With washers)		
54		Truss screw M4x16		
55		Hex.nut M4		
56		Hex.socket set screw M4x8		
57		Hex.nut M3		
58		Truss screw M3x7		
59		Truss screw M4x12		
60		Truss screw M4x8		
61		Hex.socket bolt M4x5(With washers)		



BLNSH /Q B

BLNRH /Q B

BFNSH-/Q-BS BFDSH-/Q-BS BFNYH-/Q-A BFNYHF-/Q BFNYHF-/Q-B

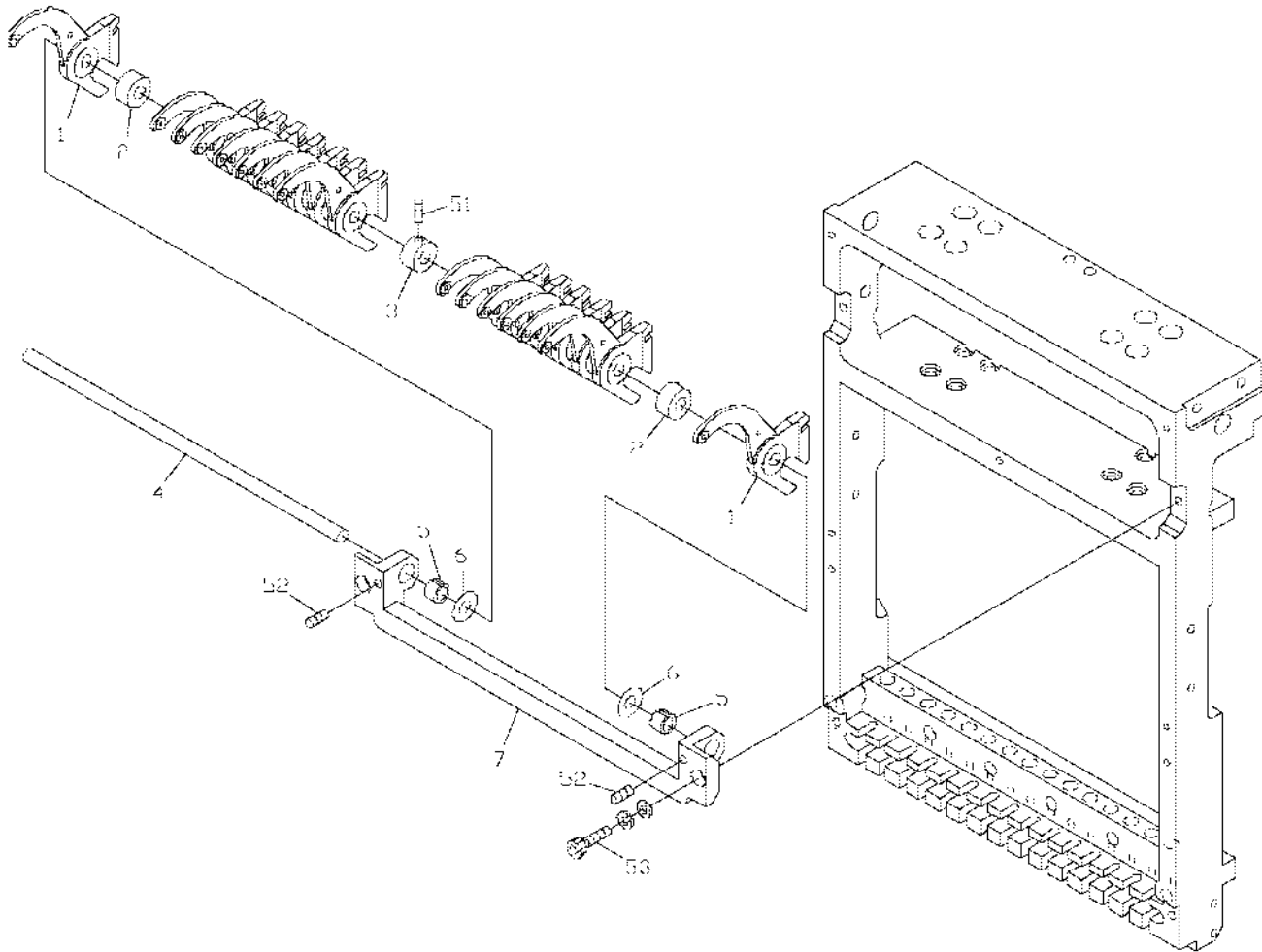
BFNYHF-/Q-C BFNRH-/Q-BS BFNBH-/Q-A BFNBF-/Q BFNBF-/Q-B

BNBH /Q C

02D THREAD CUT D

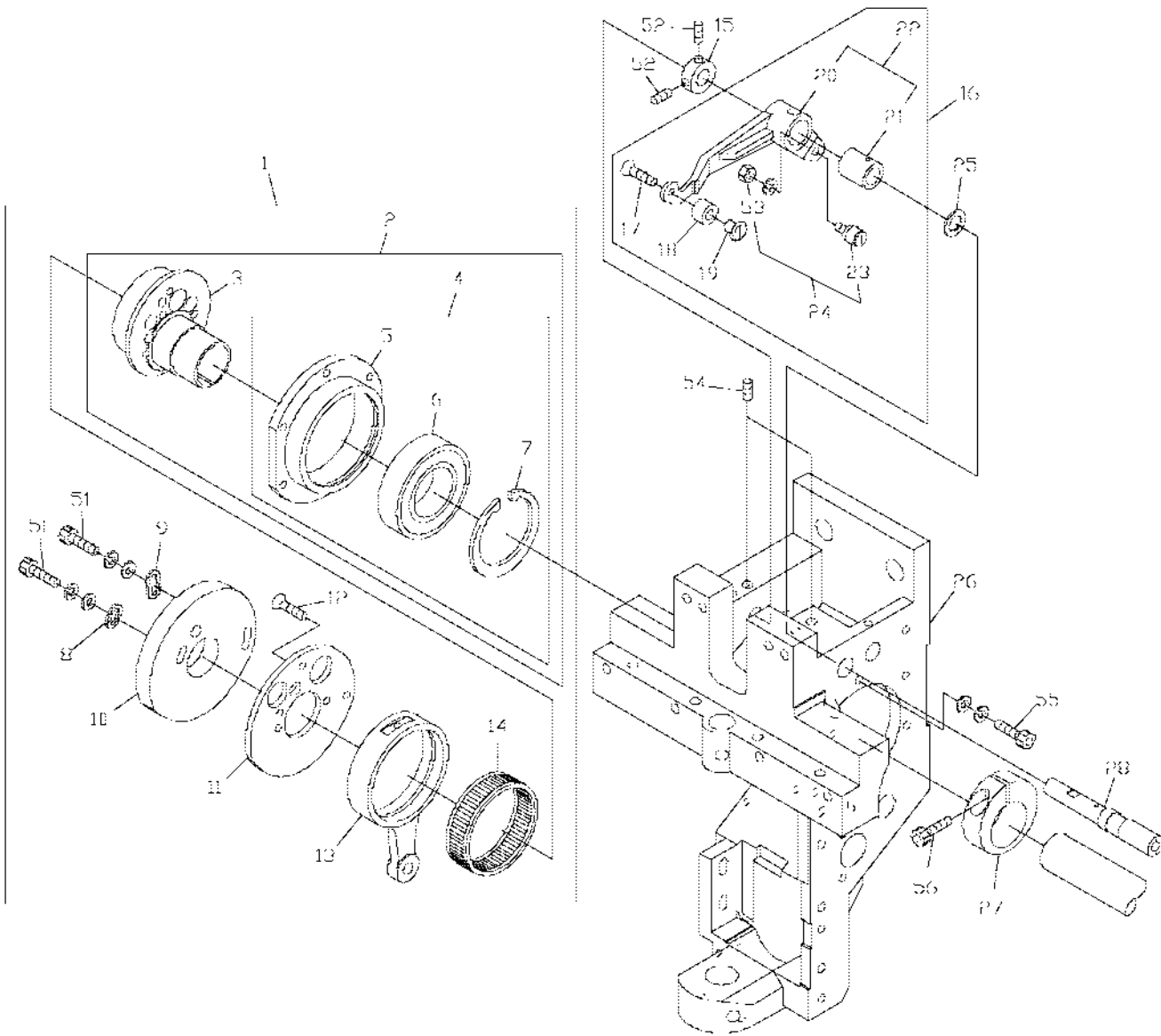
ITEM	LIST NO.	DESCRIPTION	Q'TY	NOTE
1	RD270050	Thread support apron a'ssy	Hx1	
2	KF230582	Thread way guide(For thread support apron)	Hx15	
3	KX270120	Thread support spring	Hx15	KF230582
4	KX270090	Thread support clamp	Hx15	
5	KX270110	Thread support pin	Hx15	
6	KX270100	Thread support block	Hx15	
7	KF250220	Thread guard disk	Hx3	
8	KF250241	Thread hook spring	Hx3	
9	KF250231	Thread guard spring holder	Hx3	
10	KF250250	Thread hook shaft screw	Hx3	
11	KX270340	Thread support a'ssy	Hx1	
12	LA270070	Thread support base	Hx1	
13	HT230520	Needle bar driver stopper	Hx1	
14	A9012368	Spacer(Bind bush)	Hx1	
15	KX270360	Thread support push rod	Hx1	
16	KX270320	Thread support push pin	Hx1	
17	KX270290	Thread support lever	Hx1	
18	KX270310	Thread support link	Hx1	
19	KX270300	Thread support lever pin	Hx1	
20	KX270350	Thread support return spring	Hx1	
21	A9056037	Keep solenoid TDS-K10SL(With cover)	Hx1	
22	HT270063	Thread support clamp set screw(YN)	Hx15	
23		Hex.socket button bolt M3x10 (With washers)		
24		Hex.socket bolt M4x12(With washers)		
25		Hex.socket set screw M5x8		
26		Hex.socket set screw M3x6		
27		Hex.socket bolt M3x6		
28		Hex.socket bolt M3x8(With washers)		
29		Hex.socket set screw M4x4		
30	A9012127	E-ring(3 dia.)	Hx1	
31		Hex.socket bolt M3x6(With plain washer)		
32	KC270101	Solenoid pin	Hx1	
33	RD270010	Thread support apron	Hx1	
34	RD270060	Thread support apron(With insulator)	Hx1	

03A Take up lever A



BENSH 7Q B
 BENRH 7Q B
 BENSU /Q BS B BSH /Q BS B NYH /Q A B NYH /Q B NYH /Q B
 B NYH /Q C B NRH /Q BS B NBH /Q A B NBH /Q B NBH /Q B
 BENBH 7Q C

03B Take up lever B

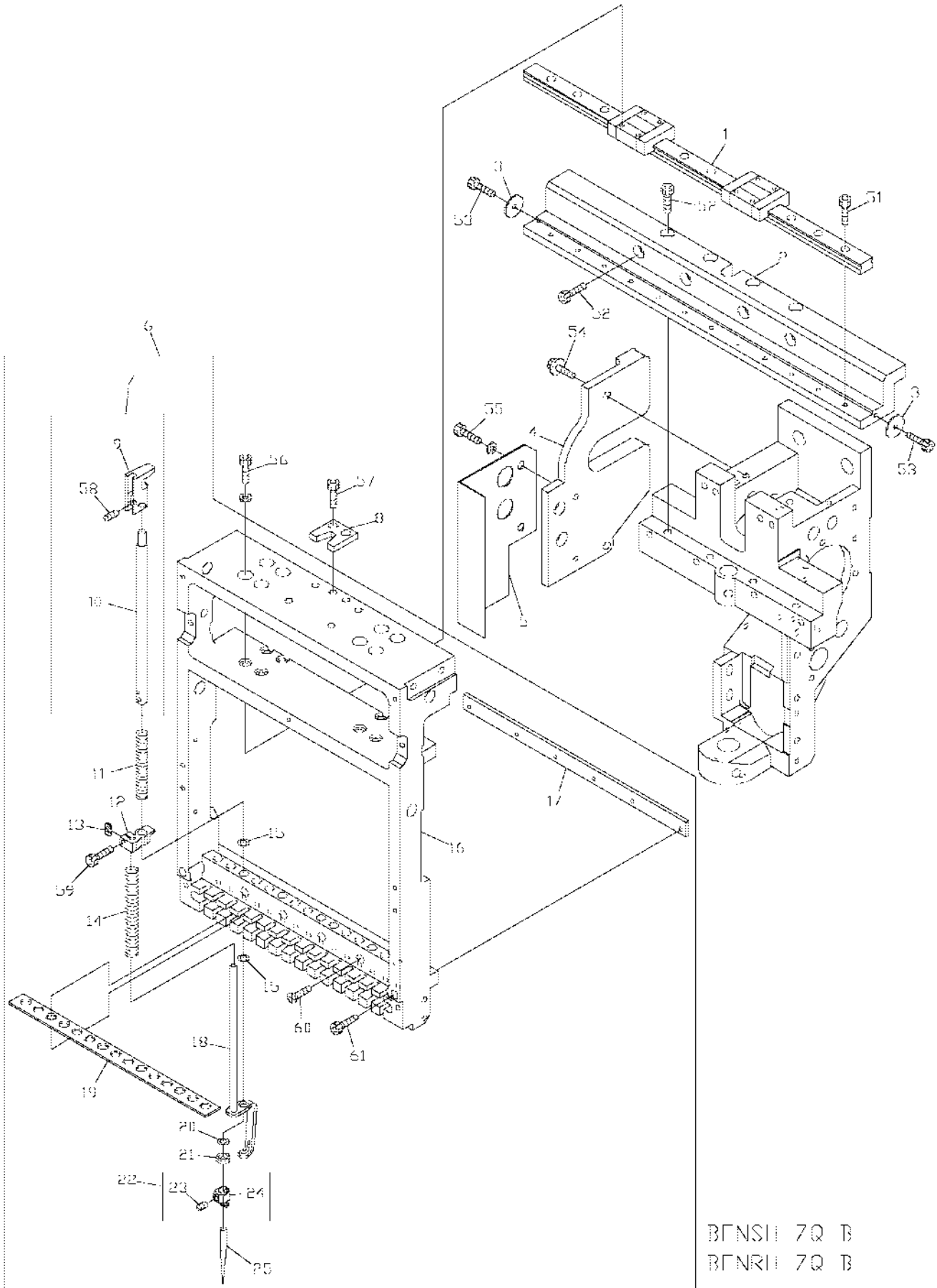


BLNSH /ZQ B
 BLNRH /ZQ B
 BFNSH-/ZQ-BS BFDSH-/ZQ-BS BFNYH-/ZQ-A BFNYHE-/ZQ BFNYHE-/ZQ-B
 BENYHE-/ZQ-C BENRH-/ZQ-BS BENBH-/ZQ-A BENBHE-/ZQ BENBHE-/ZQ-B
 BINBH /ZQ C

03B TAKE UP LEVER B

ITEM	LIST NO.	DESCRIPTION	Q'TY	NOTE
1	RN230000	Take up lever-Needle bar drive a'ssy	Hx1	Small bobbin
	RN230060	Take up lever-Needle bar drive a'ssy	Hx1	Middle bobbin
2	RN230010	Needle bar driving cam a'ssy	Hx1	
3	RN230020	Needle bar driving cam(Eccentric 9.2 x 20 dia.)	Hx1	
4	RN230030	Bearing case a'ssy	Hx1	
5	RN230040	Bearing case	Hx1	
6	A9010073	Ball bearing(6005ZZ)	Hx1	
7	A9012421	C-ring for hole 47 dia.	Hx1	
8	HB230070	Washer for cam(1)	Hx1	
9	HB230080	Washer for cam(2)	Hx1	
10	RH230290	Take up lever cam H6 20 dia.	Hx1	Small bobbin
	RN230070	Take up lever cam J1B 20 dia.	Hx1	Middle bobbin
11	RH230300	Take up lever cam base	Hx1	
12	HB230620	Flush screw	Hx3	
13	RH230280	Needle bar crank rod	Hx1	
14	RH230271	Needle bearing	Hx1	
15	HB230800	Driving shaft set collar	Hx1	
16	RV230070	Take up lever driving lever a'ssy	Hx1	
17	HB230650	Flush screw(With adhesion)	Hx1	
18	RV230060	Take up lever driving roller	Hx1	
19	RD230130	Take up lever driving roller shaft	Hx1	
20	RH230311	Take up lever driving lever	Hx1	
21	RH230810	Take up lever metal	Hx1	
22	RH230801	Take up lever driving lever(Metal)	Hx1	
23	KF230680	Cam followers(KR×4×7.9×15-1P×1)	Hx1	
24	KF230501	Take up lever roller a'ssy	Hx1	
25	RH230610	Thrust washer	Hx1	
26	RV210000	Arm	Hx1	
27	RH230330	Needle bar driving cam set collar	Hx1	
28	RH230320	Take up lever driving lever fixing pin	Hx1	
51		Hex.socket bolt M4×8		
52		Hex.socket set screw M4×4(With adhesion)		
53		Hex.nut M4(With spring washer)		
54		Hex.socket set screw M5×10		
55		Hex.socket bolt M4×15(With washers)		
56		Hex.socket bolt M5×18		

04A Needle bar A



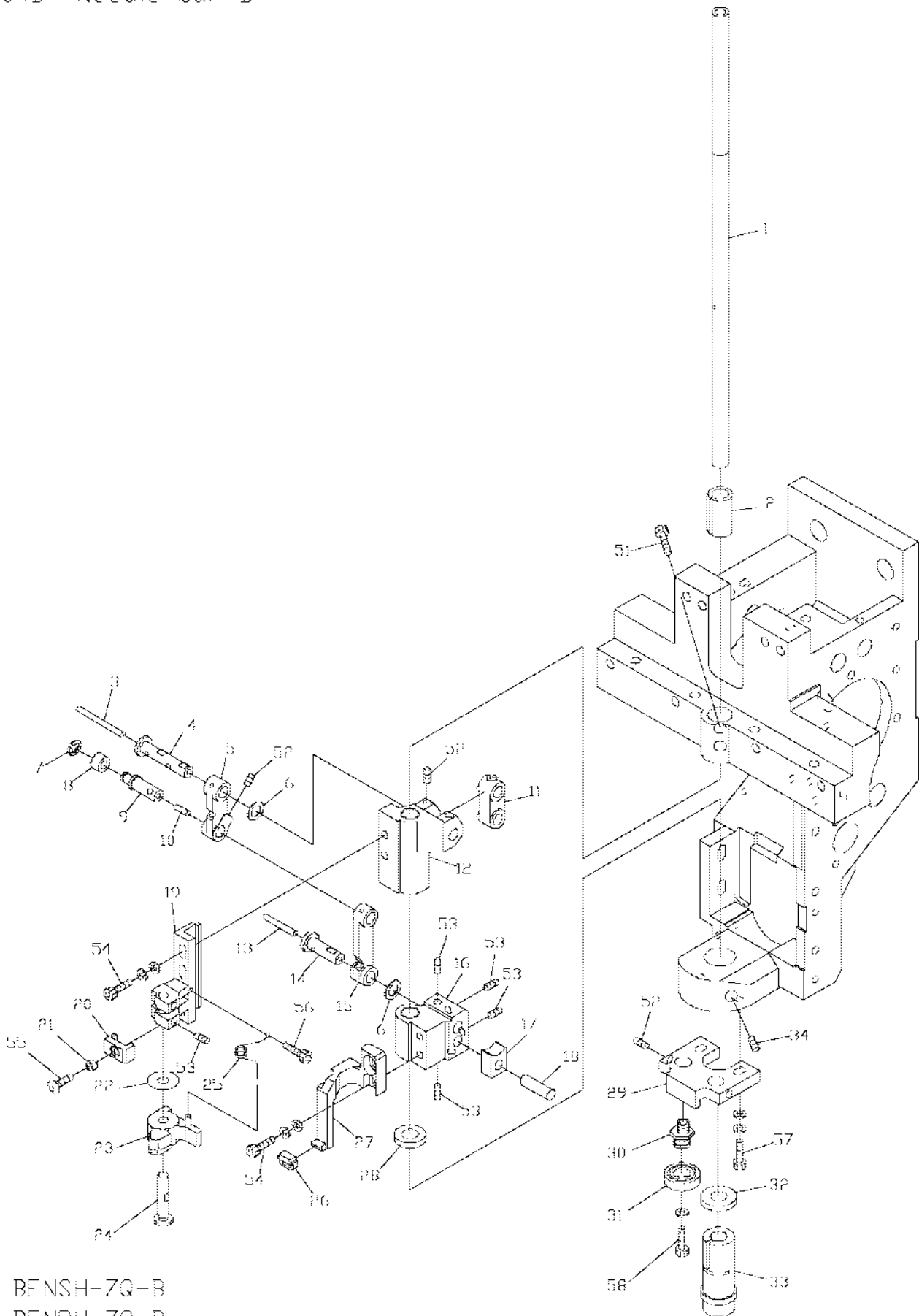
BFNSH 7Q B
BFNRH 7Q B

BFNSH-/Q-BS BF DSH-/Q-BS BF NYH-/Q-A BF NYHE-/Q BF NYHE-/Q-B
BF NYHE-/Q-C BF NRH-/Q-BS BF NBH-/Q-A BF NBHE-/Q BF NBHE-/Q-B
BF NBHE-/Q-C

04A NEEDLE BAR A

ITEM	LIST NO.	DESCRIPTION	Q'TY	NOTE
1	RD230020	LM guide	Hx1	
2	RD230031	Base plate(BEMAX)	Hx1	
3	KX230192	LM stopper	Hx1	
4	RD230180	Arm support fixing bracket	Hx1	
5	RV250060	Head side cover(Left)	1	Last head,DSH
	RD250080	Head side cover(Left)	1	Last head,Except for DSH
6	RV230120	Slide block a'ssy(ZQ5)	H-1	Except for first head
	RV230040	Slide block a'ssy(ZQ5) Color change	1	First head
7	RD230480	Needle bar a'ssy	Hx15	
8	RD230170	Slide block fixing plate	Hx1	
9	RD230490	Needle bar guide	Hx15	
10	RH230410	Needle bar	Hx15	
11	KV230040	Needle bar spring(Upper,for thick type)	Hx15	
12	HT230330	Cloth hold set clamp	Hx15	
13	HT230263	Washer for set clamp	Hx15	
14	KX230251	Needle bar spring lower(ZN) Plating	Hx15	
15	KF230920	O-ring(Large)	Hx30	
16	RV230010	Slide block(ZQ5)	H-1	Except for first head
	RV230130	Slide block(ZQ5) Color change	1	First head
17	RD230060	Bearing plate	Hx1	
18	RD230370	Cloth hold(ZQ4)	Hx15	
19	RV230030	Needle bar felt(ZQ5)	Hx1	
20	KF230910	O-ring(AN6227-5)	Hx15	
21	HT230120	Washer 2.4	Hx15	
22	RH230440	Needle clamp(With hook,set screw)	Hx15	
23	RH230460	Needle clamp screw	Hx15	
24	RH230450	Needle clamp(With hook)	Hx15	
25	FN070011SNY	Needle(DBXK5-NY11S)	Hx15	
51		Hex.socket bolt M3x8		
52		Hex.socket bolt M5x15		
53		Hex.socket button bolt M3x6		
54		Hex.socket flange bolt M4x12		
55		Hex.socket bolt M4x10(With plain washer)		Last head
56		Hex.socket bolt M3x8(With plain washer)		
57		Hex.socket flush screw M5x20		
58		Hex.socket double point screw M4x4		
59		Hex.socket bolt M3x8		
60		Hex.socket flush screw M3x25		
61		Hex.socket bolt M3x25		

04B Needle bar B



BFNSH-7Q-B

BFNRH-7Q-B

BI NSH /Q BS BI DSH /Q BS BI NYH /Q A BI NYH /Q BI NYH /Q B

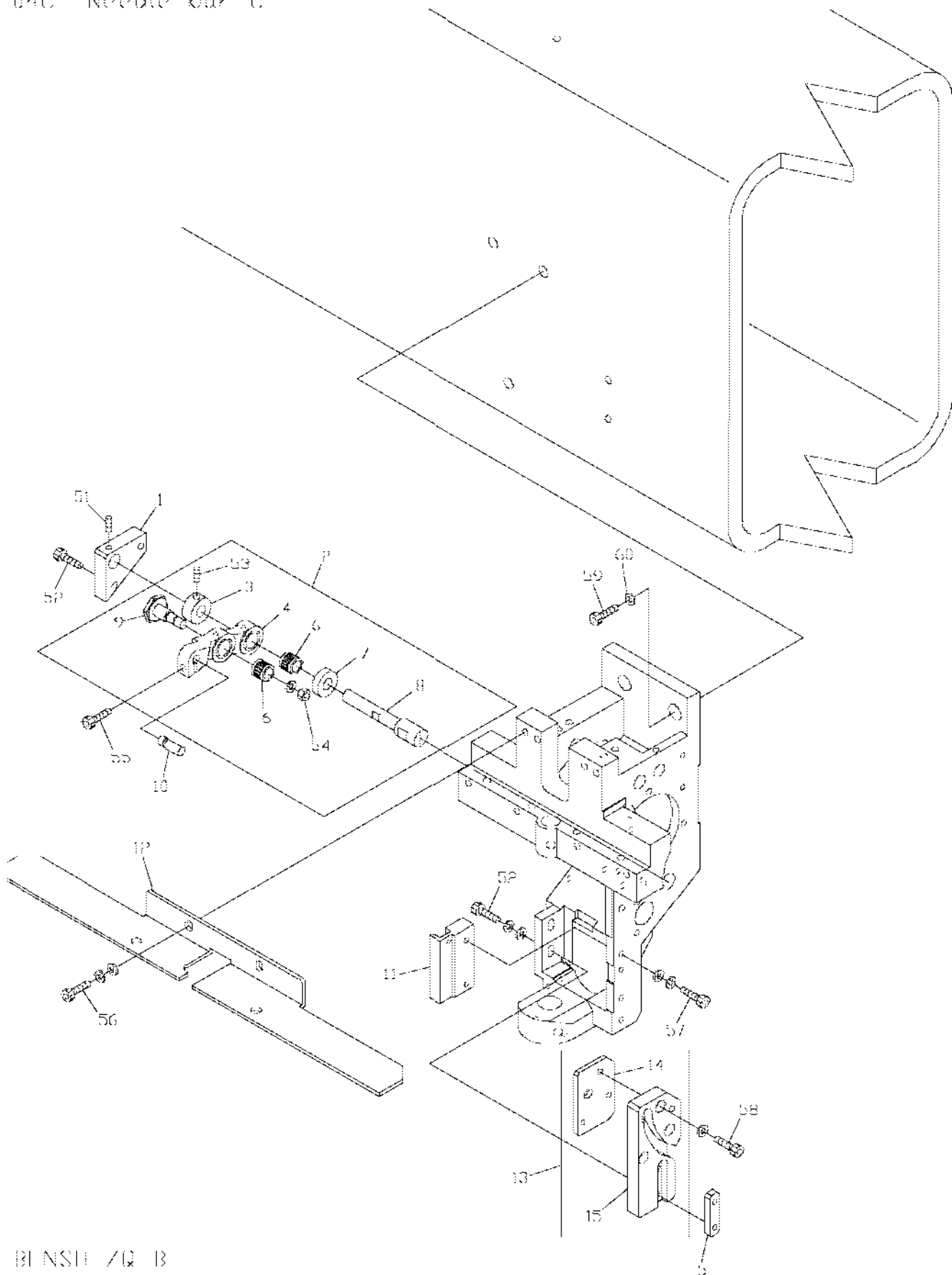
BI NYH /Q C BI NRH /Q BS BI NH /Q A BI NH /Q BI NH /Q B

BI NH /Q C

04B NEEDLE BAR B

ITEM	LIST NO.	DESCRIPTION	Q'TY	NOTE
1	RV230020	Drive shaft(ZQ5)	Hx1	
2	RD230150	Drive shaft bush(Upper)	Hx1	
3	HT230750	Oil core(30mm)	Hx1	
4	HT230470	Small link pin	Hx1	
5	HT230490	Link(Small)	Hx1	
6	HT230730	Shim ring(10 dia. t=0.3)	Hx2	
7	A9012127	E-ring(3 dia.)	Hx1	
8	KF230530	Roller(For take up lever)	Hx1	
9	HT230450	Link roller joint pin	Hx1	
10	HT230760	Oil core(8mm)	Hx1	
11	HB230200	Needle bar driving link	Hx1	
12	HT230510	Needle bar driver slide block	Hx1	
13	HT230770	Oil core(20mm)	Hx1	
14	HT230460	Large link pin	Hx1	
15	HT230480	Link(Large)	Hx1	
16	HT230500	Set slide block	Hx1	
17	HP231370	Square ball	Hx1	
18	HT230320	Square ball pin	Hx1	
19	HT230290	Needle bar beat fixing base	Hx1	
20	HT230520	Needle bar driving stopper	Hx1	
21	A9012368	Spacer(Roll bush)	Hx1	
22	RH230550	Shim ring	Hx1	
23	RH230540	Needle bar driver	Hx1	
24	HT230280	Needle bar driver pin	Hx1	
25	HT230560	Needle bar driver return spring	Hx1	
26	HT230340	Cloth hold support rubber	Hx1	
27	RV230250	Cloth hold support	Hx1	
28	RD230240	Drive shaft felt(Upper)	Hx1	
29	RD230050	Bearing guide	Hx1	
30	KX230050	Bearing pin	Hx2	
31	A9010065	Ball bearing 686zz	Hx2	
32	RD230230	Drive shaft felt(Lower)	Hx1	
33	KX230080	Drive shaft bush(Lower)	Hx1	
34	A9012053	Hex.socket set screw(With steel ball) M6x0.7x8	Hx2	
51		Hex.Socket bolt M5x20		
52		Hex.socket set screw M4x6(With nylon)		
53		Hex.socket set screw M4x4(With nylon)		
54		Hex.socket bolt M4x12(With washers)		
55		Hex.socket button bolt M3x6		
56		Hex.Socket bolt M2.5x6		
57		Hex.socket bolt M4x15(With washers)		
58		Hex.socket bolt M4x6(With plain washer)		

04C Needle bar C

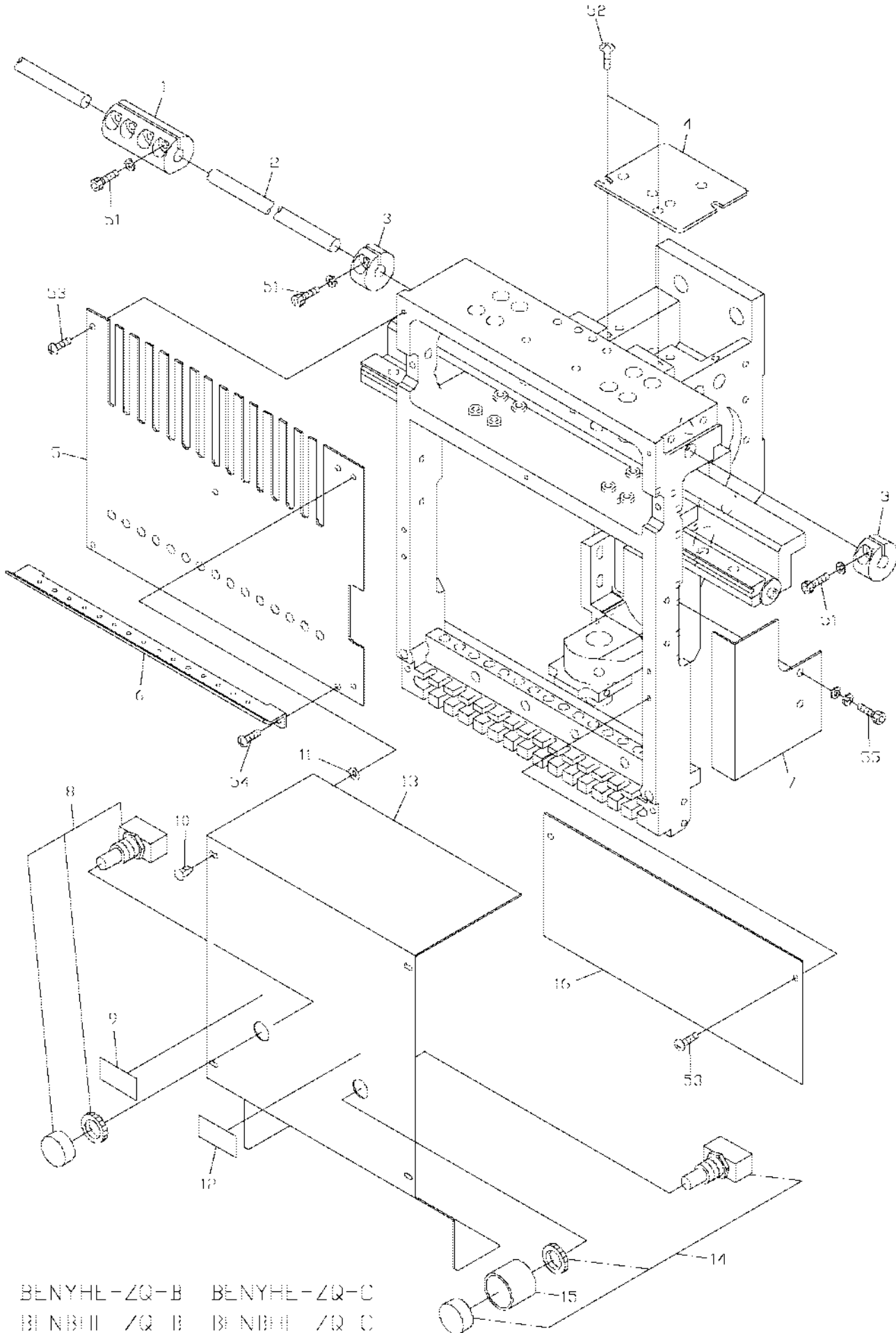


B1NS11 7Q B
 BFNRI1 7Q B
 B1NS11 7Q BS B1DS11 7Q BS BFN111 7Q A BFN111F 7Q BFN111F 7Q B
 BFN111F-7Q-C BFNRI1-7Q-BS BFNBI1-7Q-A BFNBI1F-7Q BFNBI1F-7Q-B
 B1NBI1 7Q C

04C NEEDLE BAR C

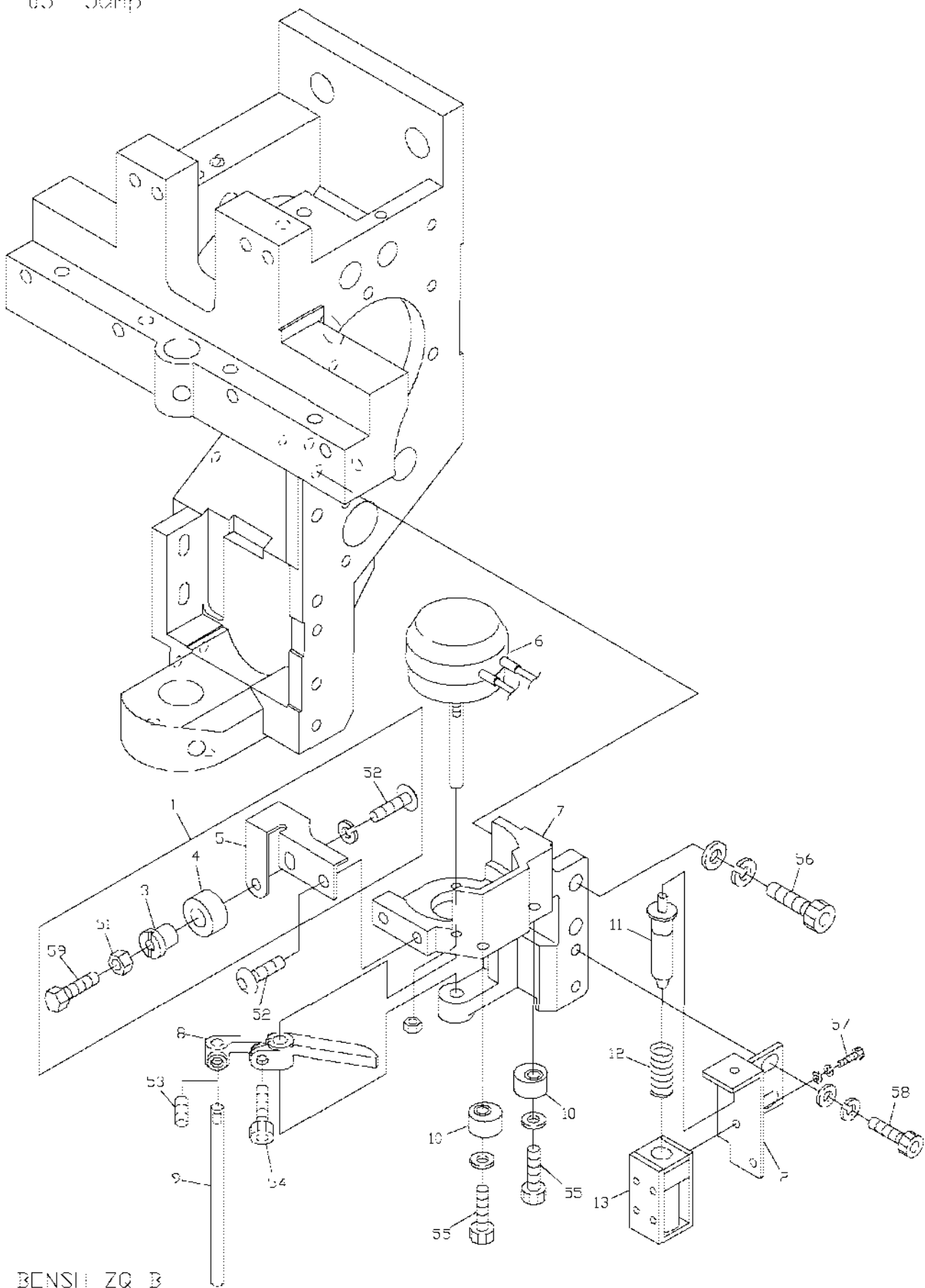
ITEM	LIST NO.	DESCRIPTION	Q'TY	NOTE
1	HT230590	Lever pin block	H X 1	
2	RV230200	Needle bar driving lever set(P25.8)	H X 1	
3	HB230271	Needle bar driving lever fixing pin set collar	H X 1	
4	RV230190	Needle bar driving lever(P25.8)	H X 1	
5	HT230380	Cam tap plate	H X 1	
6	HB230361	Needle roller with retainer(KV8x11x10SV2)	H X 2	
7	HB230281	Needle bar driving lever fixing pin collar	H X 1	
8	HT230410	Needle bar driving lever fixing pin	H X 1	
9	HB230261	Needle bar driving lever connecting pin	H X 1	
10	HB230220	Needle bar driving lever pin(B)	H X 1	
11	HT230420	Guide plate	H X 1	
12	RV230180	Take up lever stocker(ZQ5)	H X 1	
13	HT230610	Cloth hold cam a'ssy	H X 1	
14	HT230600	Cam back up plate	H X 1	
15	HT230720	Cloth hold cam(K2)	H X 1	
51		Hex.socket set screw M4x4(With nylon)		
52		Hex.socket bolt M4x15(With washers)		
53		Hex.socket set screw M5x5		
54		Hex.nut M6(With spring washer)		
55		Hex.socket bolt M4x14(With adhesive)		
56		Hex.socket bolt M5x15(With washers)		
57		Hex.socket bolt M4x18(With washers)		
58		Hex.socket bolt M4x8		
59		Hex.Socke bolt M8x25		
60		Disk spring M8		

04D Needle bar D



BENYHE-ZQ-B BENYHE-ZQ-C
 BENYHE /ZQ B BENYHE /ZQ C

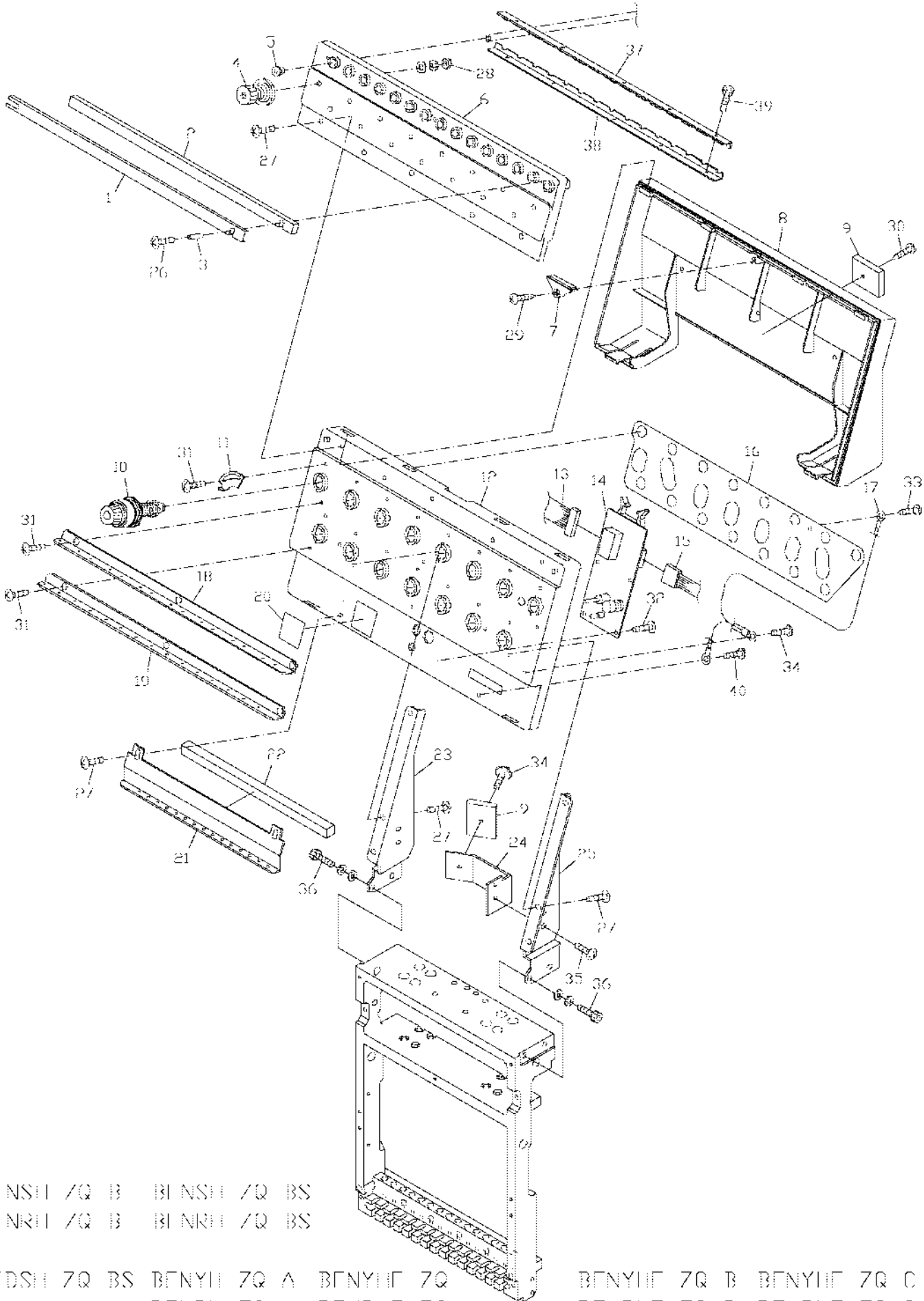
ITEM	LIST NO.	DESCRIPTION	QTY	NOTE
1	LA330160	Rod joint	2	*
2	KX330020	Connecting rod	1	*
3	HB230271	Decided position collar	H X 2	
4	RV250070	Arm upper cover	H X 1	
5	RD250010	Front cover upper	H - 2	
	RD250020	Front cover upper(First head)	1	
	RD250030	Front cover upper(Last head)	1	
6	RD240271	Thread hanger(With insulator)	H X 1	
7	RD250070	Head side cover(Right)	H X 1	First head
8	A9052081	Push button switch(SB-221 N/O,AT-412R)	2	
9	A9019009	Aluminum name plate(Stop)	2	
10	A9014154	Canoe clip(TL-180-2) Primary colors	4 X H-4	
11	A9014155	Washer(TM-147-1)	4 X H-4	
12	A9019008	Aluminum name plate(Start)	2	
13	RA130280	Cover between cover NYHE-ZQ,P=520	1	
	RA130250	Cover between cover NYHE-ZQ,P=380	3	
	RQ250000	Cover between cover(ON/OFF with hole) NYHE-ZQ,P=520	2	
	RQ250010	Cover between cover(ON/OFF with hole) NYHE-ZQ,P=380	2	
14	A9052080	Push button switch(SB-221 N/O,AT-412M)	2	
15	KX510140	Switch cover	2	
16	RD250040	Front cover Lower	H X 1	
51		Hex.socket bolt M4x16(With spring washer)		
52		Truss screw M5x6		
53		Pan screw M3x6		
54		Pan screw M3x8		
55		Hex.socket bolt M4x5		



BENSII ZQ B
 BENRH-ZQ-B
 BENSII ZQ BS BENSII ZQ-BS BENYH-ZQ-A BENYHE-ZQ BENYHF-ZQ-B
 BENYHE-ZQ-C BENRH-ZQ-BS BENBH-ZQ-A BENBHE-ZQ BENBHC ZQ B
 BENBHE-ZQ-C

ITEM	LIST NO.	DESCRIPTION	Q'TY	NOTE
1	RD230340	Needle bar stopper a'ssy(BEMAX)	H X 1	
2	RV230050	Keep solenoid fixed plate	H X 1	
3	HT230620	Needle bar stopper fixing pin	H X 1	
4	HT230220	Needle bar stopper	H X 1	
5	RD230191	Needle bar stopper fixing bracket(BEMAX)	H X 1	
6	A9056036	Rotary solenoid 3ER35-35x3x8x9(M990386R)	H X 1	
7	RD230250	Jump solenoid fixing bracket	H X 1	
8	HB240020	Jump solenoid lever	H X 1	
9	HB240030	Jump solenoid lever pin	H X 1	
10	HB240041	Jump eccentric	H X 2	
11	HB560080	Solenoid plunger a'ssy	H X 1	
12	HB560060	Keep solenoid spring	H X 1	
13	HB560211	Keep solenoid TDS-K07A(ETL)	H X 1	
51		Hex.nut M4		
52		Hex.socket button bolt M4x8		
53		Hex.socket set screw M4x4(With adhesion)		
54		Hex.socket bolt M4x8		
55		Hex.socket bolt M4x12(With plain washer) (With adhesion)		
56		Hex.socket bolt M5x18(With washers)		
57		Hex.socket bolt M2.6x5(With washers)		
58		Hex.socket bolt M4x8(With washers)		
59		Hex.bolt M4x10		

06A Thread guide A (Standard)



BI NSII /Q B BI NSII /Q BS
 BI NRII /Q B BI NRII /Q BS

BFDSII 7Q BS BENYII 7Q A BENYIE 7Q
 BENBII 7Q A BENBIE 7Q

BENYIE 7Q B BENYIE 7Q C
 BENBIE 7Q B BENBIE 7Q C

0105???

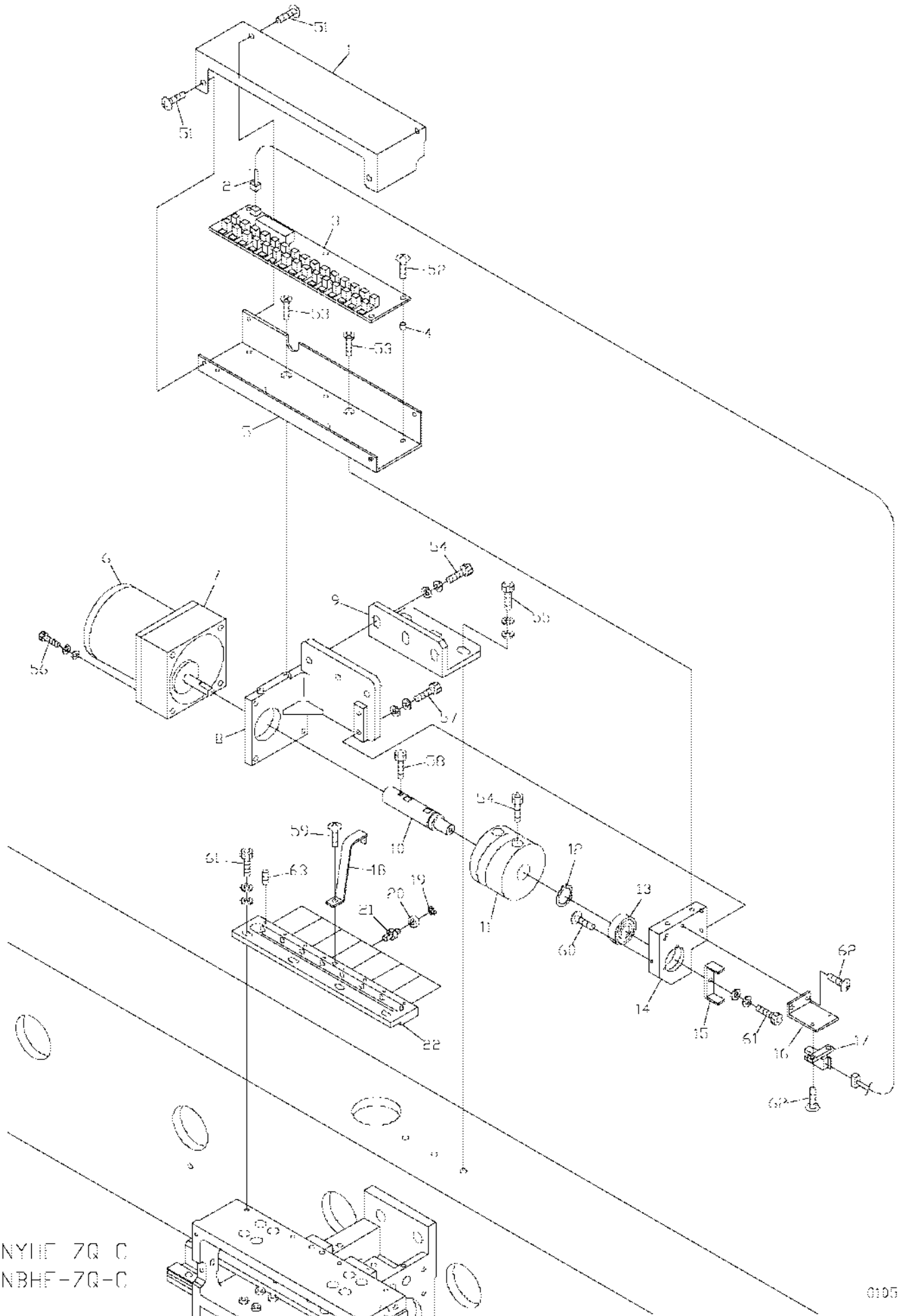
06A THREAD GUIDE A

ITEM	LIST NO.	DESCRIPTION	Q'TY	NOTE
1	RD240291	Felt frame	Hx1	
2	RD240301	Felt	Hx1	
3	A9012412	Spacer(3 dia. x17L)	Hx2	
4	RD240320	Thread tension a'ssy(ZQ-A)	Hx15	
5	HT240480	Thread collar(For thread stand,white)	Hx15	
6	RD240280	Thread tension base	Hx1	Except for DSH
	RR240170	Thread tension base(DSH-ZQ)	Hx1	DSH
7	HT240240	Blind cap	Hx1	Except for DSH
	RR240180	Blind cap(DSH-ZQ- YN)	Hx1	DSH
8	RD240030	Tension cover(For 15 needle)	Hx1	Except for DSH
	RR240160	Tension base cover(DSH-ZQ)	Hx1	DSH
9	A9068032	FCW clamp(FCW-26)	Hx2	
10	RD240153	Dial thread tension unit complete(BEMAX)	Hx15	
11	RD240111	Thread spring adjusting plate	Hx15	
12	RD240022	Tension base case a'ssy	Hx1	Except for DSH
	RR240150	Tension base case a'ssy(DSH-ZQ)	Hx1	DSH
13	EBY01690	H1899 pin pin cable	Hx1	
14	EBY01641	4640 head switch board(With BEMAX cable)	Hx1	
15	EBY01700	H1900 additional pin pin cable	Hx1	
16	RD240121	Tension earth plate	Hx1	
17	A9053077	Tension base earth cable ZQ	Hx1	
18	RD240330	First thread guide plate(ZQ-A)	Hx1	
19	RD240340	Second thread guide plate(ZQ-A)	Hx1	
20		Number label	Hx1	
21	RD240051	Second thread guide	Hx1	
22	RD240130	Cover hold rubber	Hx1	
23	RD240171	Tension base(R)	Hx1	
24	RD240090	Cord holder	Hx1	
25	RD240181	Tension base(L)	Hx1	
26		Truss screw M3x25		
27		Truss screw M4x10		
28		Hex.nut SM11/64		
29		Tapping screw 3 dia. x12		
30		Tapping pan screw 3 dia. x25		
31		Truss screw M3x5		
32		Truss screw M3x6		
33		Pan screw M3x6		
34		Pan screw with washers M3x8		
35		Truss screw M4x6		
36		Hex.socket bolt M5x15(With washers)		
37	RD240430	Tube holder(Upper)	Hx1	Included MG710082
38	RD240440	Tube holder(Lower)	Hx1	Included MG710082
39		Hex.socket bolt M3x15		Included MG710082
40		Pan screw M4x6		

06B THREAD GUIDE B

ITEM	LIST NO.	DESCRIPTION	Q'TY	NOTE
1	RD240291	Felt shaft	Hx1	
2	RD240301	Felt	Hx1	
3	A9012412	Spacer(3 dia. x17L)	Hx2	
4	HT240300	Thread guide pin	Hx30	
5	RD240320	Thread tension a'ssy(ZQ-A)	Hx15	
6	HT240480	Thread collar(For thread stand,white)	Hx15	
7	RD540010	Lower thread sensorium base	Hx1	Except for DSH
	RR240190	Lower thread sensorium base(DSH-ZQ-U)	Hx1	DSH
8		Hex.nut SM11/64		
9	EBY01720	4680 sensor board 15 with cable	Hx1	
10	RD540060	Board bracket	Hx1	
11	RD540050	Lower thread sensorium board cover	Hx1	Except for DSH
	RR240200	Lower thread sensorium board cover(DSH-ZQ-U)	Hx1	DSH
12	HT240290	Tension wheel a'ssy	Hx15	
13	HT240310	Tension wheel bearing	Hx15	
14	KN540510	Tension wheel nut	Hx15	
15	HT240101	Lower thread sensorium sensor disk	Hx15	
16		Truss screw M3x25		
17		Pan screw M3x6		
18		Truss screw M3x6		
19		Truss screw M4x10		
20		Hex.socket bolt M2x3		
21	RD240430	Tube holder(Upper)	Hx1	Included MG710082
22	RD240440	Tube holder(Lower)	Hx1	Included MG710082
23		Hex.socket bolt M3x15		Included MG710082

07 Color change

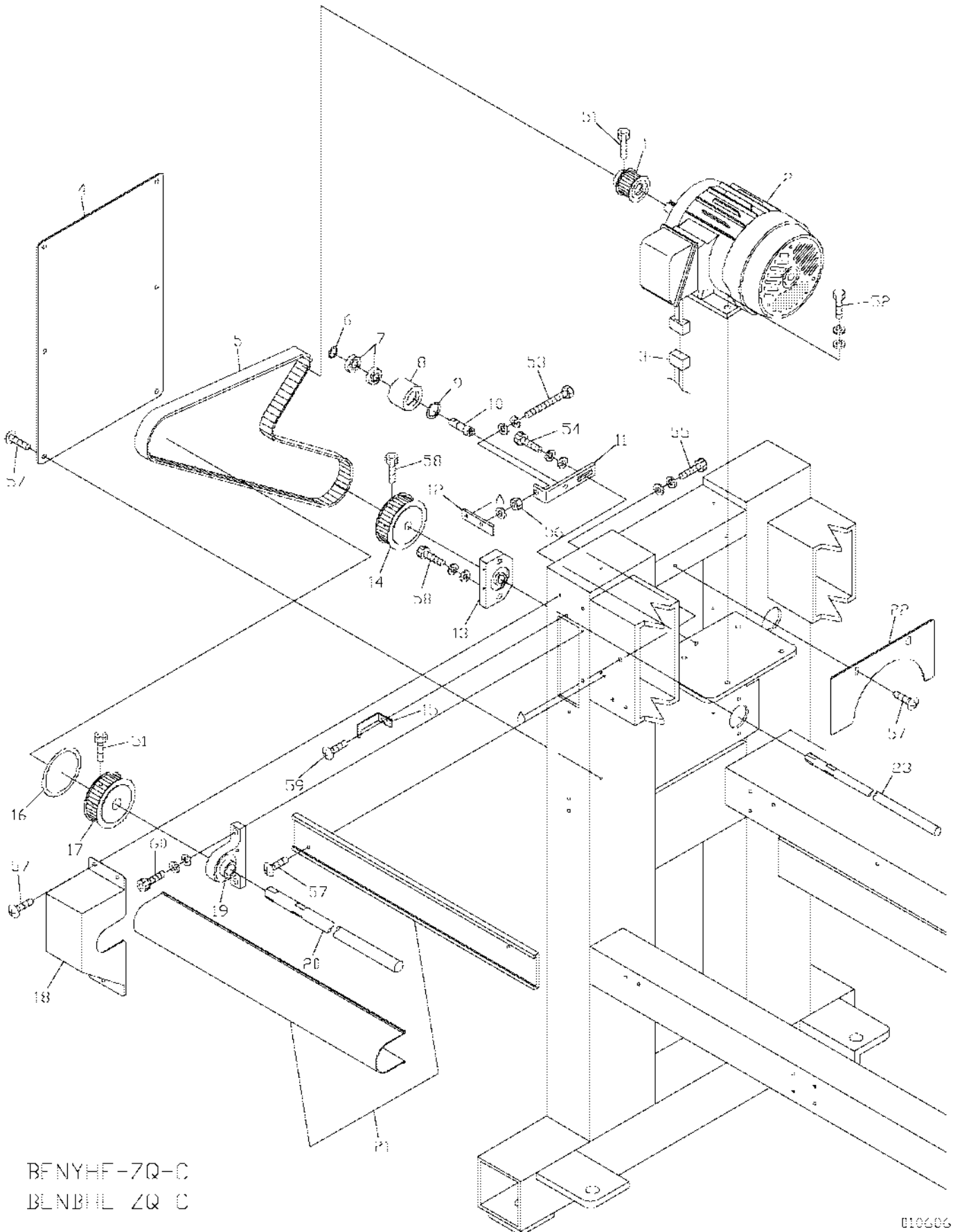


BFNYIF 7Q C
BFNBHF-7Q-C

010502

07 COLOR CHANGE

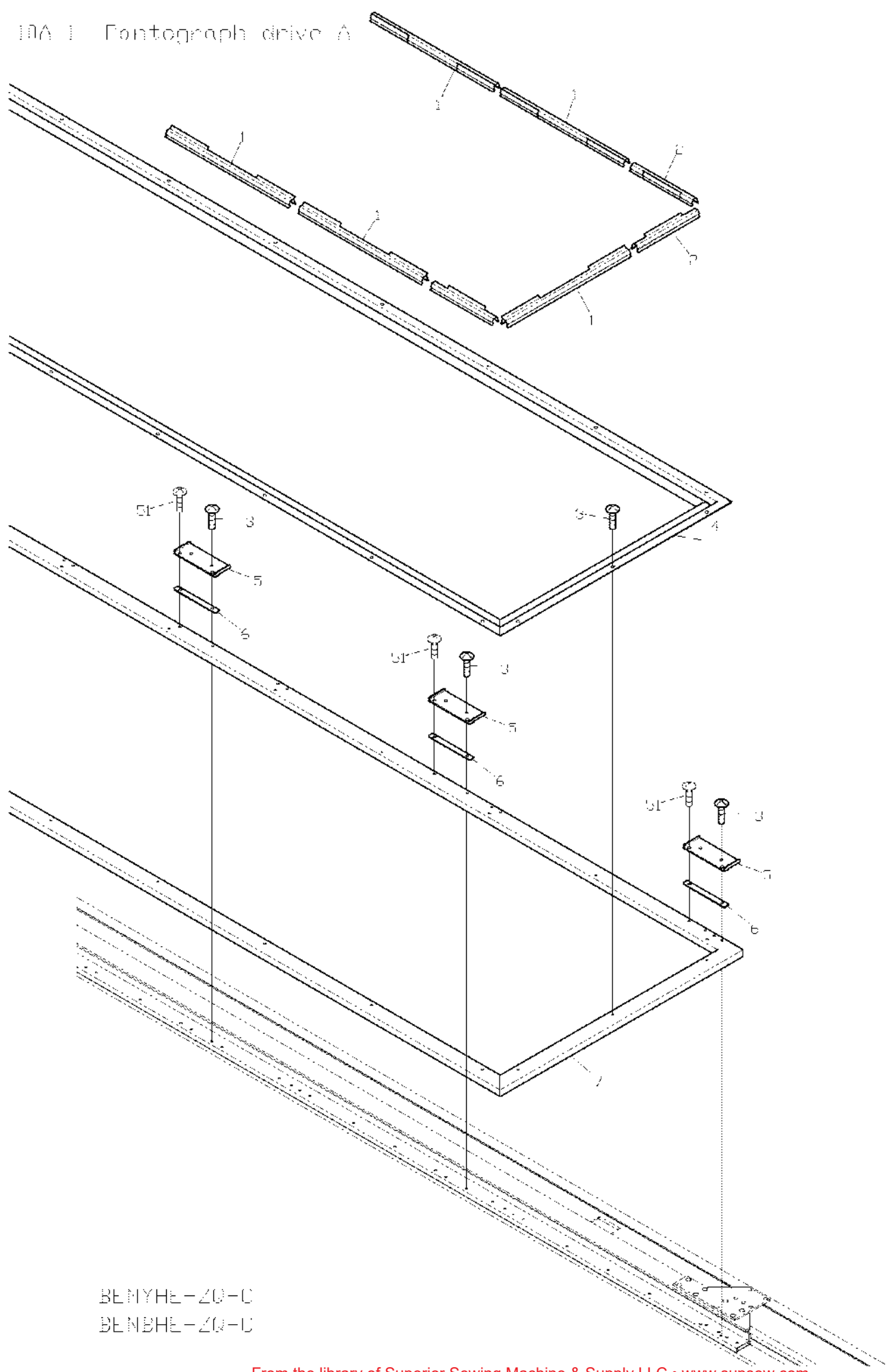
ITEM	LIST NO.	DESCRIPTION	Q'TY	NOTE
1	SC330110	Color change cover	1	
2	A9053079	Lock sensor cable Z type	1	
3	EBY01650	Color change board	1	
4	A9012208	Spacer(Roll bush) 5 dia. x4L	5	
5	SC330100	Color change board base plate	1	
6	A9065092	Reversible motor 3RJ10GB-AUL-E4	1	
7	A9065093	Gear head 3GB18K	1	
8	SC330080	Color change base	1	
9	SC330070	Color change bracket	1	
10	SC330040	Color change cam connecting shaft	1	
11	SC330010	Color change cam(Compact)	1	
12	A9012068	C-ring(For shaft 15 dia.)	1	
13	A9010062	Bearing 6000ZZ	1	
14	SC330090	Color change bearing	1	
15	SC330050	Revolution sensor plate	1	
16	SC330060	sensor stay	1	
17	A9060063	Photo micro sensor EE-SX672A(OMRON)	1	
18	SC330120	Color change sense plate	1	
19	A9012127	E-ring 3 dia.	8	
20	A9010063	Bearing MR105ZZ(NSK)	8	
21	SC330030	Connecting collar shaft	8	
22	SC330020	Connecting block	1	
51		Truss screw M4x8(Uni chrome)		
52		Truss screw M4x8		
53		Flush screw M4x8		
54		Hex.socket bolt M6x15(Black)		
55		Hex.socket bolt M6x18(Black)		
56		Hex.socket bolt M4x60(With washers)		
57		Hex.socket bolt M4x8(Black)		
58		Hex.socket bolt M4x8		
59		Truss screw M4x6		
60		Truss screw M3x4		
61		Hex.socket bolt M4x15(Black)		
62		Truss screw M3x8		
63		Hex.socket set screw M3x4(With screw lock)		



BFNYHF-7Q-C
BLNBHL ZQ C

ITEM	LIST NO.	DESCRIPTION	Q'TY	NOTE
1	RP310170	Motor pulley(S5M-26)	1	
2	HV310220	Main motor 1K FBK8-4P-0.55kw VF3 200V(ETL)	1	
3	A9053081	Motor cable 1.25x4x5m		
4	SC160040	Stand cover	2	
5	A9020180	Timing belt B250S5M1420	1	
6	A9012066	C-ring(For hole 12 dia.)	1	
7	A9010003	Bearing 6001ZZ	2	
8	RQ310000	Idler	1	
9	A9012063	C-ring(For hole 28 dia.)	1	
10	SC310020	Idler shaft	1	
11	SC310030	Idler bracket	1	
12	SC310040	Tension plate	1	
13	SC310060	Lower shaft housing	1	
14	SC310010	15 dia. lower shaft timing pulley(S5M-52)	1	
15	SC310050	Angle instructions plate	1	
16	SC310100	Rotary angle label	1	
17	SC310000	20 dia. upper shaft timing pulley(S5M-52)	1	
18	SC250000	Pulley box	1	
19	SC310070	Upper shaft housing	1	
20	SC310120	Upper shaft 20 dia.(For 4T)	1	4T
	SC310090	Upper shaft 20 dia.(For 4T)	1	6T
21	SC130000	Shaft mogol & cover(P=520)	1	
22	SC250010	Drive motor cover	1	
23	SC310110	Lower shaft 15 dia.(For 4T)	1	4T
	SC310080	Lower shaft 15 dia.(For 4T)	1	6T
51		Hex.socket bolt M6x15(Black)		
52		Hex.bolt M8x20		
53		Hex.bolt M6x60(Full screw)		
54		Hex.socket bolt M8x20(Black)		
55		Hex.socket bolt M6x15(Uni chrome)		
56		Hex.nut M6		
57		Truss screw M5x10		
58		Hex.socket bolt M5x8		
59		Truss screw M5x6		
60		Hex.socket bolt M6x18(Black)		

10A 1 Pantograph drive A

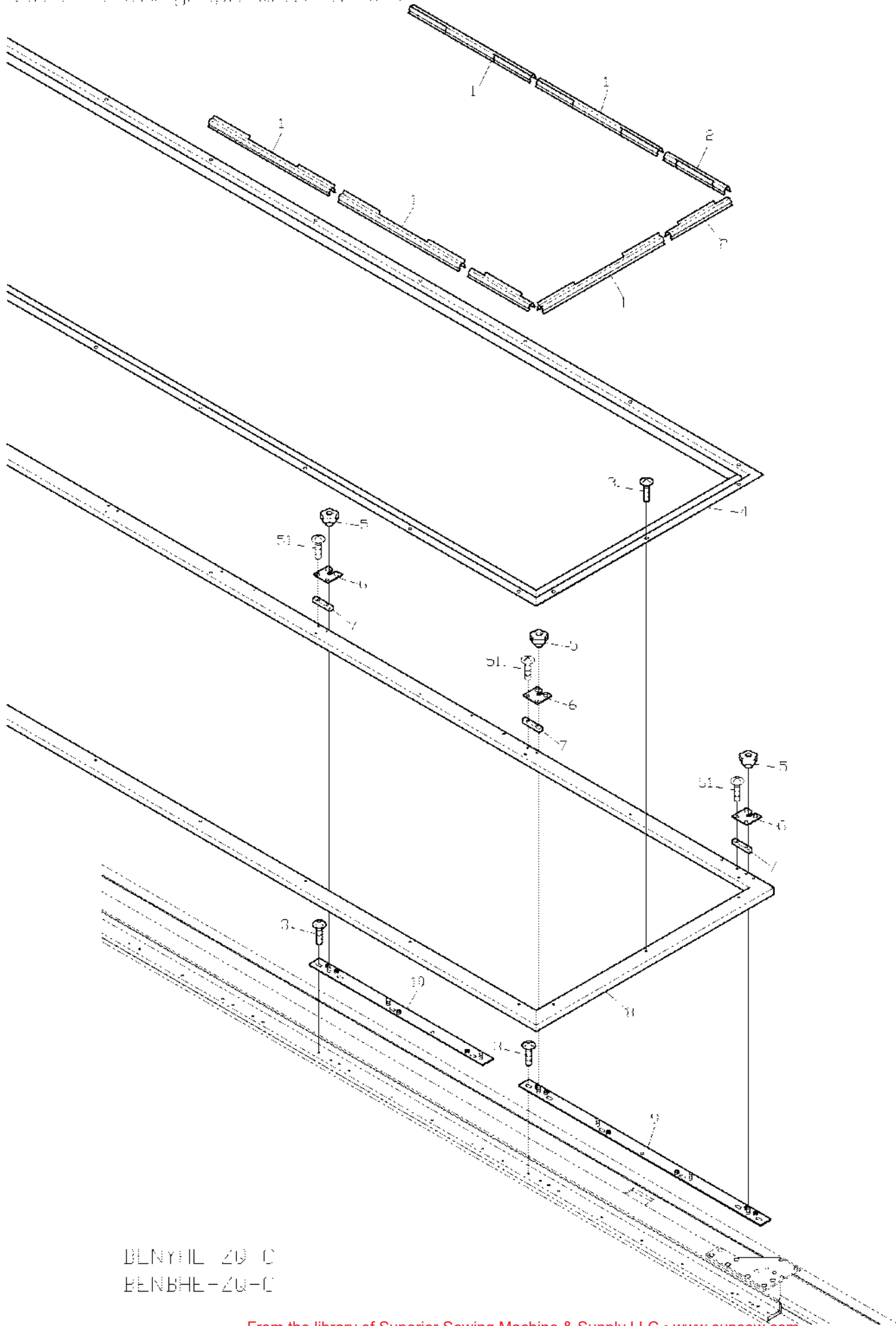


BENYHE-ZO-C
BENBHE-ZO-C

010523

ITEM	LIST NO.	DESCRIPTION	Q'TY	NOTE
1	KF730750	Clip(300L)	16	4T
			22	6T
2	KF730760	Clip(150L)	2	4T
			4	6T
3	KF730500	Truss screw SM11/64x10.5		*
4	SC730050	Pantograph a'ssy(C04,P=520)	1	4T
	SC730010	Pantograph a'ssy(C06,P=520)	1	6T
5	RQ480250	Pantograph fixing plate	Hx1	
6	SC730020	Pantograph fixed spacer A	Hx1	
7	SC730060	Pantograph frame a'ssy(C04,P=520)	1	4T
	SC730000	Pantograph frame a'ssy(C06,P=520)	1	6T
51		Truss screw M4x10		

11A-P Pentagraph drive A (2S)

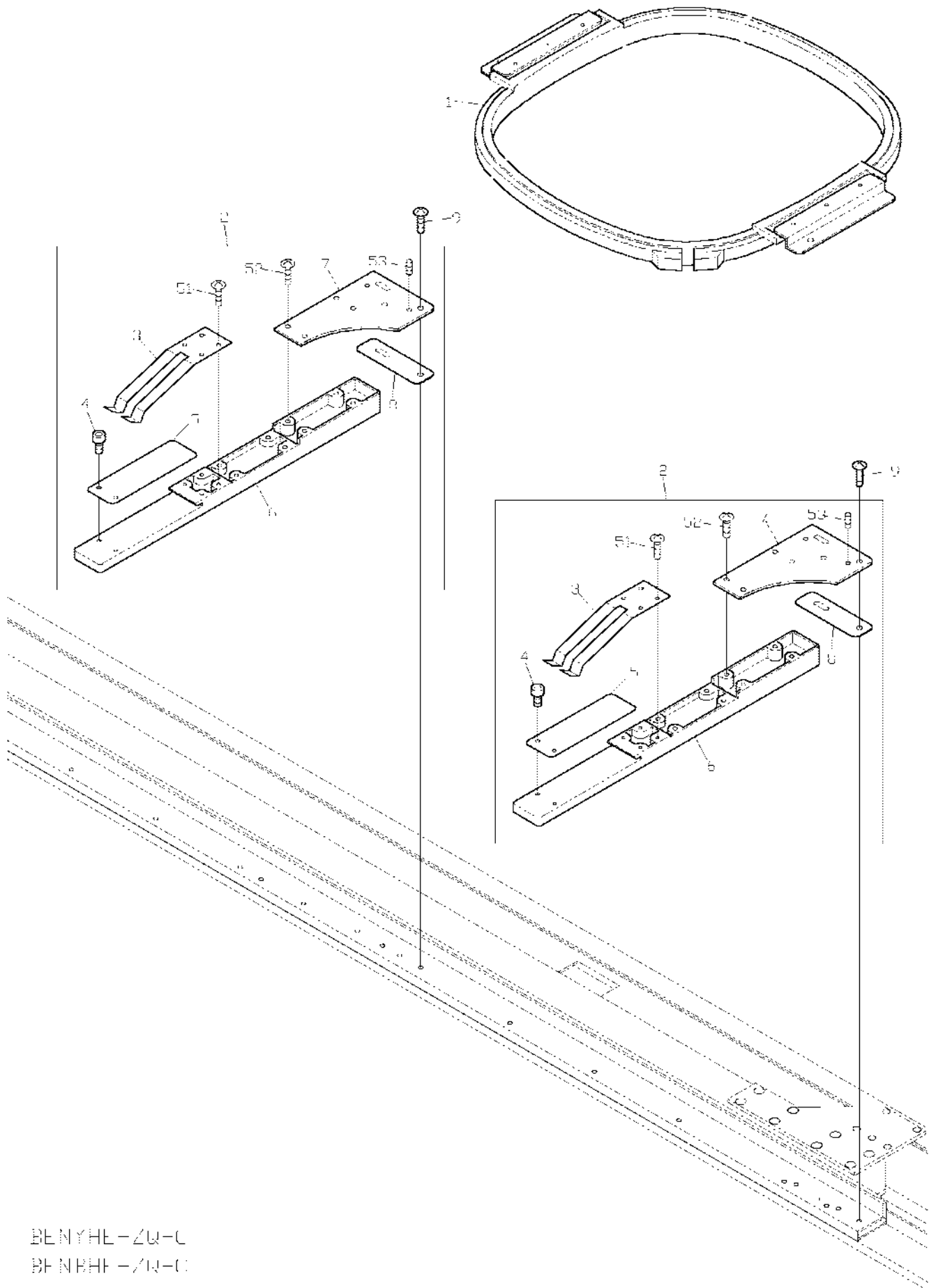


BLNYHL 20 C
BENBHE-20-C

010575

ITEM	LIST NO.	DESCRIPTION	Q'TY	NOTE
1	KF730750	Clip(300L)	16	4T
			22	6T
2	KF730760	Clip(150L)	2	4T
			4	6T
3	KF730500	Truss screw SM11/64x10.5		*
4	SC730050	Pantograph a'ssy(C04,P=520)	1	4T
	SC730010	Pantograph a'ssy(C06,P=520)	1	6T
5	A9012433	Star knob(Tap hole) STK30NT	H+1	
6	SC730041	Pantograph fixing plate	H+1	
7	SC730030	Pantograph fixed spacer B	H+1	
8	SC730060	Pantograph frame a'ssy(C04,P=520)	1	4T
	SC730000	Pantograph frame a'ssy(C06,P=520)	1	6T
9	SC730121	Stay- Cap frame base(First head,P=520)	1	
10	SC730131	Stay- Cap frame base(From second head,P=520)	H-1	
51		Truss screw M4x10		

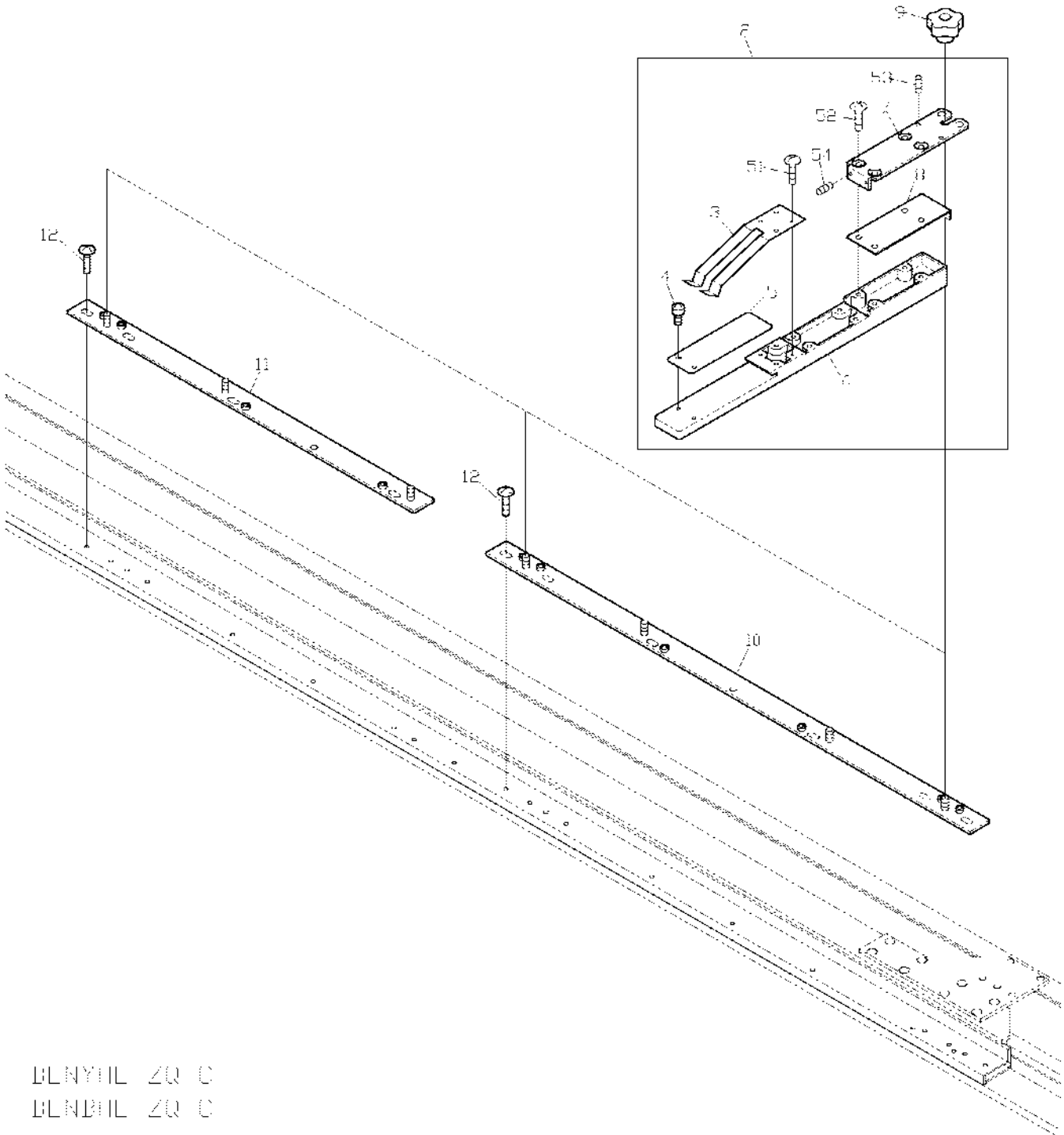
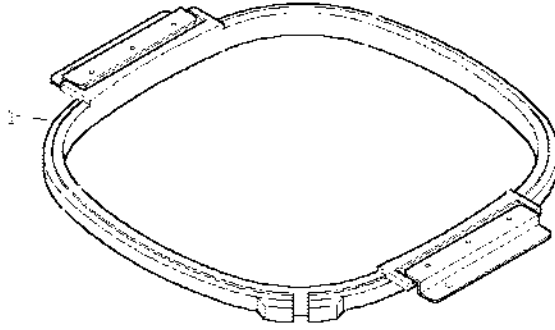
10B 1 Pantograph Drive B



BENYHE-ZW-C
BENBHE-ZW-C

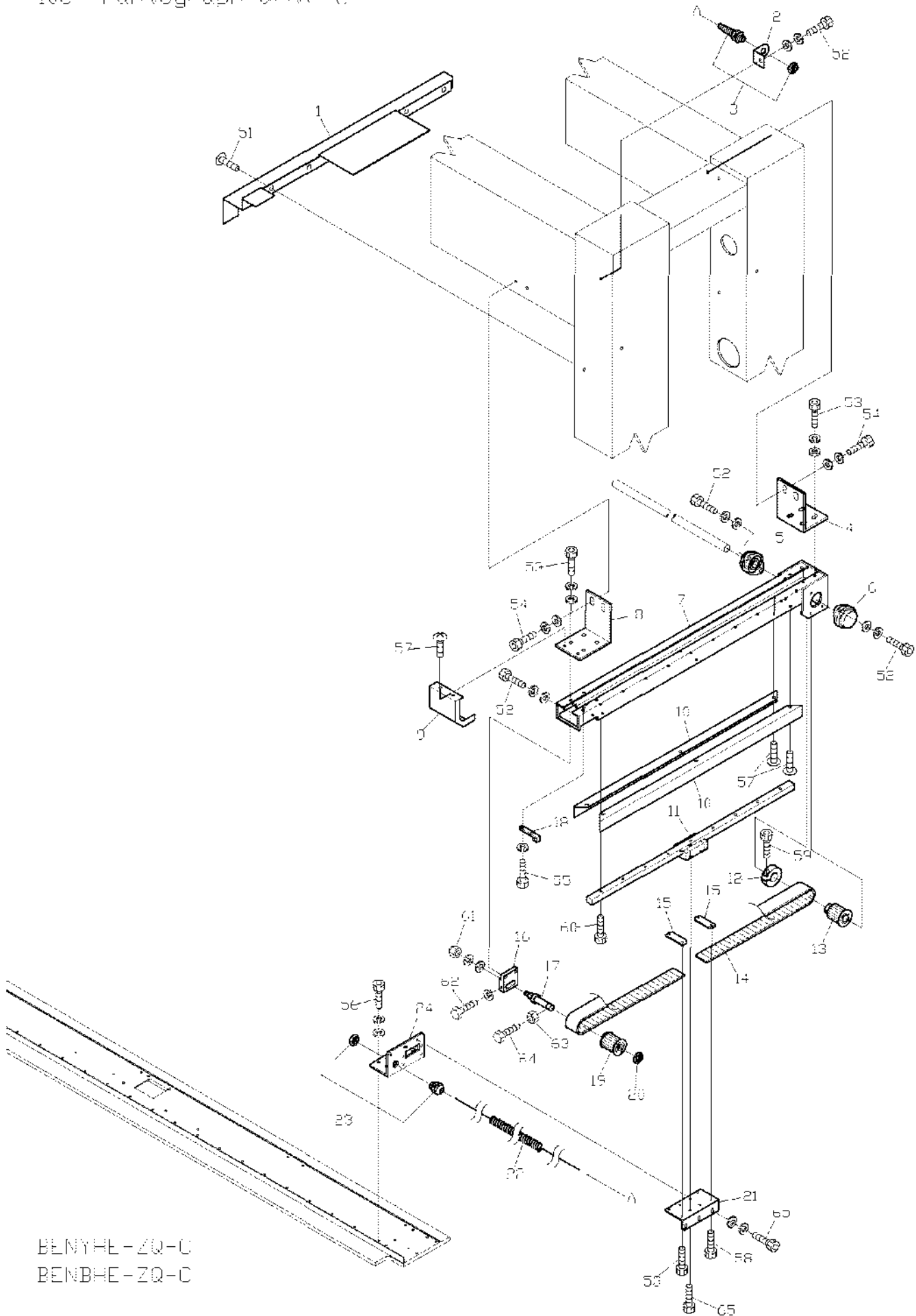
010522

10B-2 Pantograph drive B (US)



BLNYIL ZQ C
BLNBIL ZQ C

10C Pantograph drive C



BENYHE-ZQ-C
BENBHE-ZQ-C

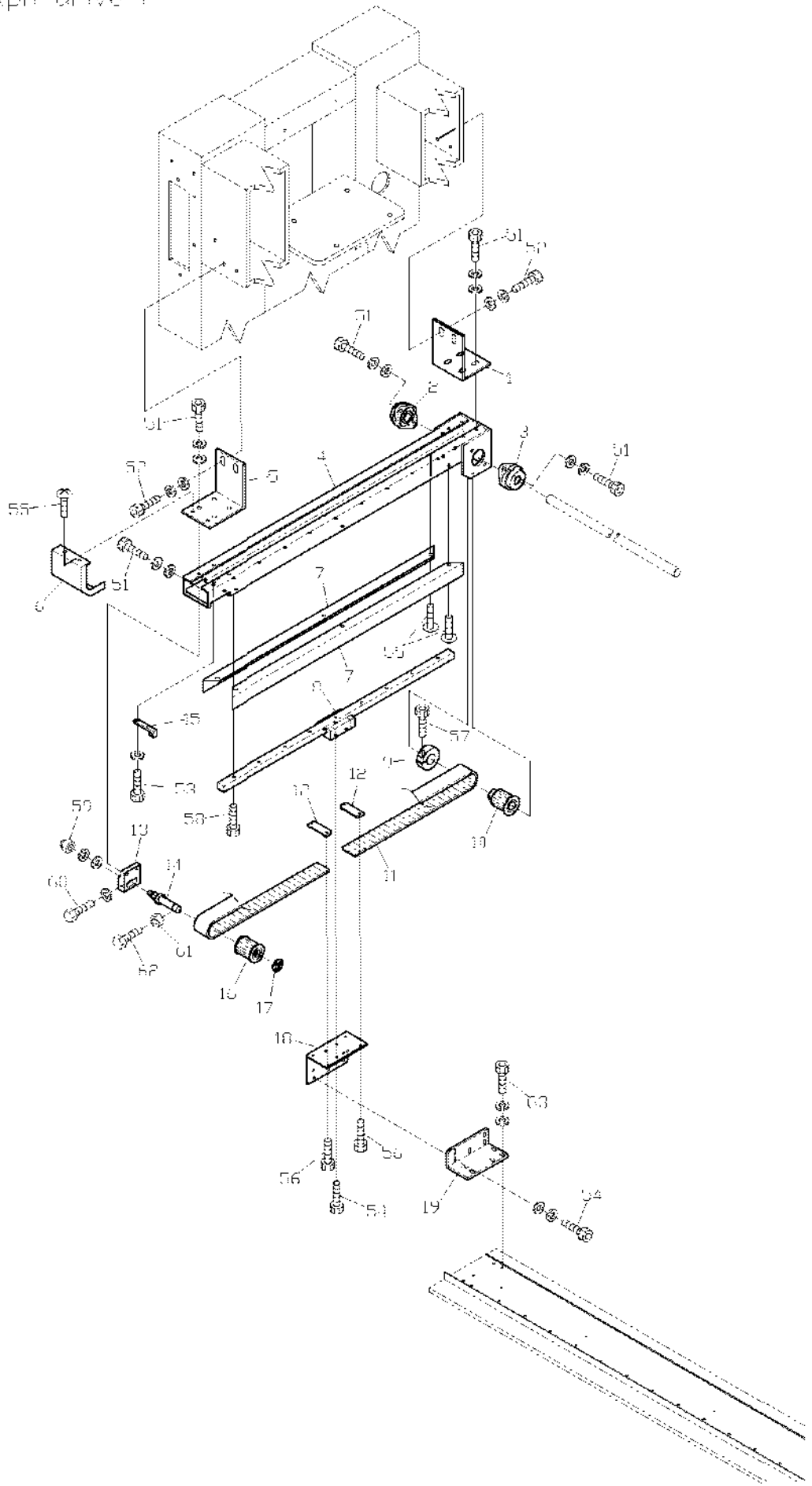
10C PANTOGRAPH DRIVE C

ITEM	LIST NO.	DESCRIPTION	Q'TY	NOTE
1	SC250050	V-spline cover	1	
2	SC480290	Erectrical bracket	1	
3	A9068030	Bushing NW-7RP	1	
4	SC480330	H-rail base fixed stay(Rear)	1	
5	A9011243	Bearing unit(UFL002C)	1	
6	A9011244	Bearing unit(UFL002D)	1	
7	SC480320	H-rail base(ST=450)	1	
8	SC480210	H-rail base fixed stay(Front)	1	
9	SC250040	H-rail frount cover	1	
10	SC250070	H-rail side cover	2	
11	SC480040	LM guide(540L)	1	
12	HH481980	19 dia. clamp	1	
13	SC480000	Pantograph drive pulley(Rear)	1	
14	SC480020	Timing belt MA5	1	
15	HP482940	Timing belt set rack(5M)	2	
16	SC480050	Pulley bracket	1	
17	SC480030	Timing pulley shaft	1	
18	RP480200	Pulley stopper	1	
19	SC480010	Pantograph drive pulley(Front)	1	
20	A9012052	E-ring(10 dia.)	1	
21	SC480120	Guide base(R)	1	
22	A9068049	Curl cord(Compact machine)	1	
23	A9068050	Super seal(NW-7R)	1	
24	SC480080	Guide stay(R)	1	
51		Truss screw M6x10		
52		Hex.socket bolt M6x15(Uni chrome)		
53		Hex.socket bolt M5x15(Uni chrome)		
54		Hex.socket bolt M6x20(Uni chrome)		
55		Hex.socket bolt M4x10(With spring washer)		
56		Hex.socket bolt M4x12(Uni chrome)		
57		Truss screw M4x6(Uni chrome)		
58		Hex.socket bolt M3x15(Black)		
59		Hex.socket bolt M5x20(Black)		
60		Hex.socket bolt M4x10(Black)		
61		Hex.cap nut M8(Uni chrome)		
62		Hex.bolt M4x30(Uni chrome)		
63		Hex.nut M4		
64		Hex.bolt M4x40(Uni chrome)		
65		Hex.socket bolt M4x10(Uni chrome)		

10D PANTOGRAPH DRIVE D

ITEM	LIST NO.	DESCRIPTION	Q'TY	NOTE
1	SC480330	H-rail base fixed stay(Rear)	1	
2	A9011243	Bearing unit(UFL002C)	2	
3	SC480320	H-rail base(ST=450)	1	
4	SC480210	H-rail base fixed stay(Front)	1	
5	SC250040	H-rail front cover	1	
6	SC250070	H-rail side cover	2	
7	SC480040	LM guide(540L)	1	
8	HH481980	19 dia. clamp	1	
9	SC480000	Pantograph drive pulley(Rear)	1	
10	SC480020	Timing belt MA5	1	
11	HP482940	Timing belt set rack(5M)	2	
12	SC480050	Pulley bracket	1	
13	SC480030	Timing pulley shaft	1	
14	RP480200	Pulley stopper	1	
15	SC480010	Pantograph drive pulley(Front)	1	
16	A9012052	E-ring(10 dia.)	1	
17	SC480140	Guide base(RC)	1	
18	SC480100	Guide stay(RC)	1	
51		Hex.socket bolt M5x15(Uni chrome)		
52		Hex.socket bolt M6x20(Uni chrome)		
53		Hex.socket bolt M4x10(With spring washer)		
54		Hex.socket bolt M4x10(Uni chrome)		
55		Truss screw M4x6(Uni chrome)		
56		Hex.socket bolt M3x15(Black)		
57		Hex.socket bolt M5x20(Black)		
58		Hex.socket bolt M4x10(Black)		
59		Hex.cap nut M8(Uni chrome)		
60		Hex.bolt M4x30(Uni chrome)		
61		Hex.nut M4		
62		Hex.bolt M4x40(Uni chrome)		
63		Hex.socket bolt M4x12(Uni chrome)		

100 Pentagraph drive 1

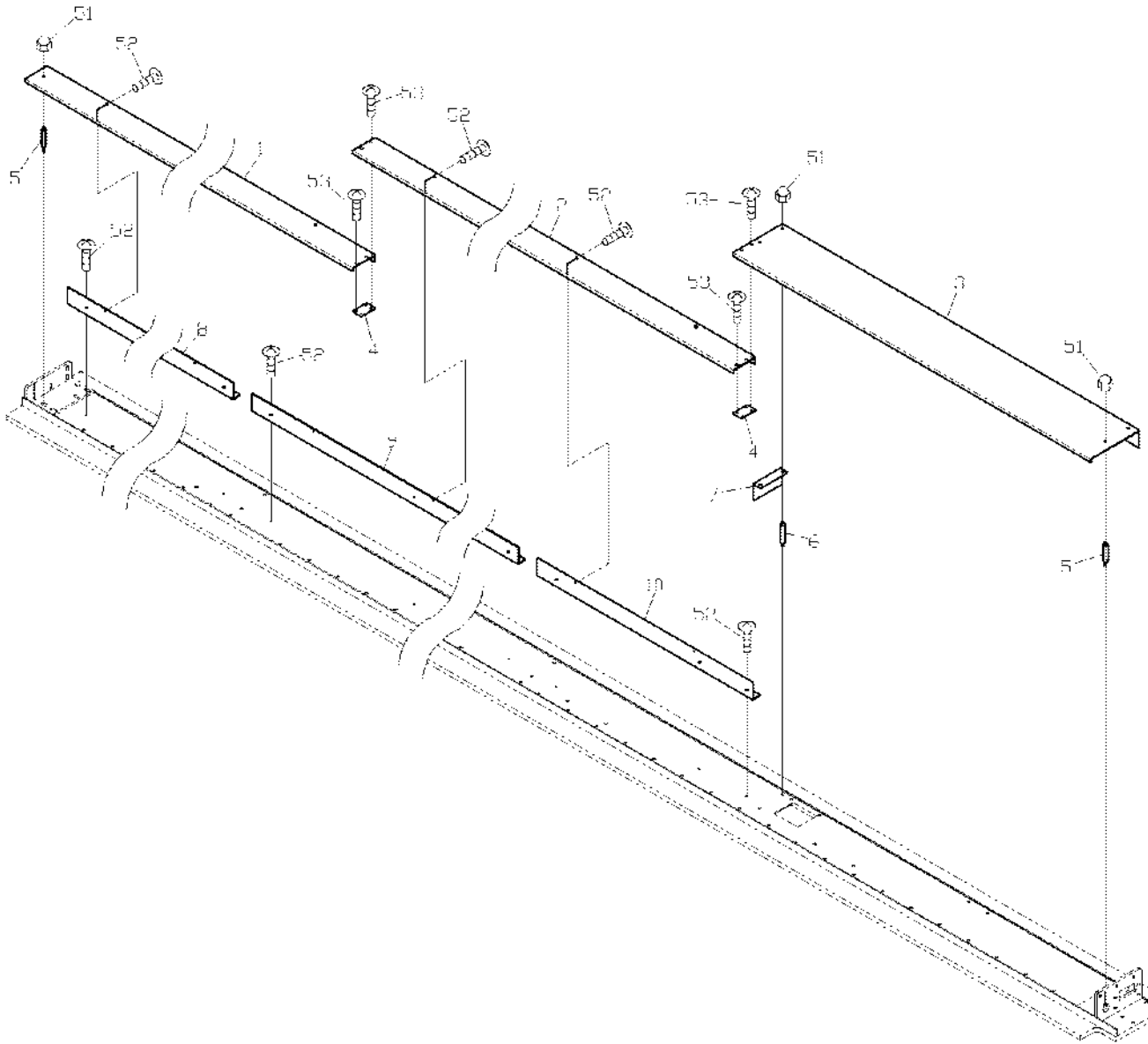


BFNYHF-7Q-C
BFNDIE-7Q-C

018029

10F PANTOGRAPH DRIVE F

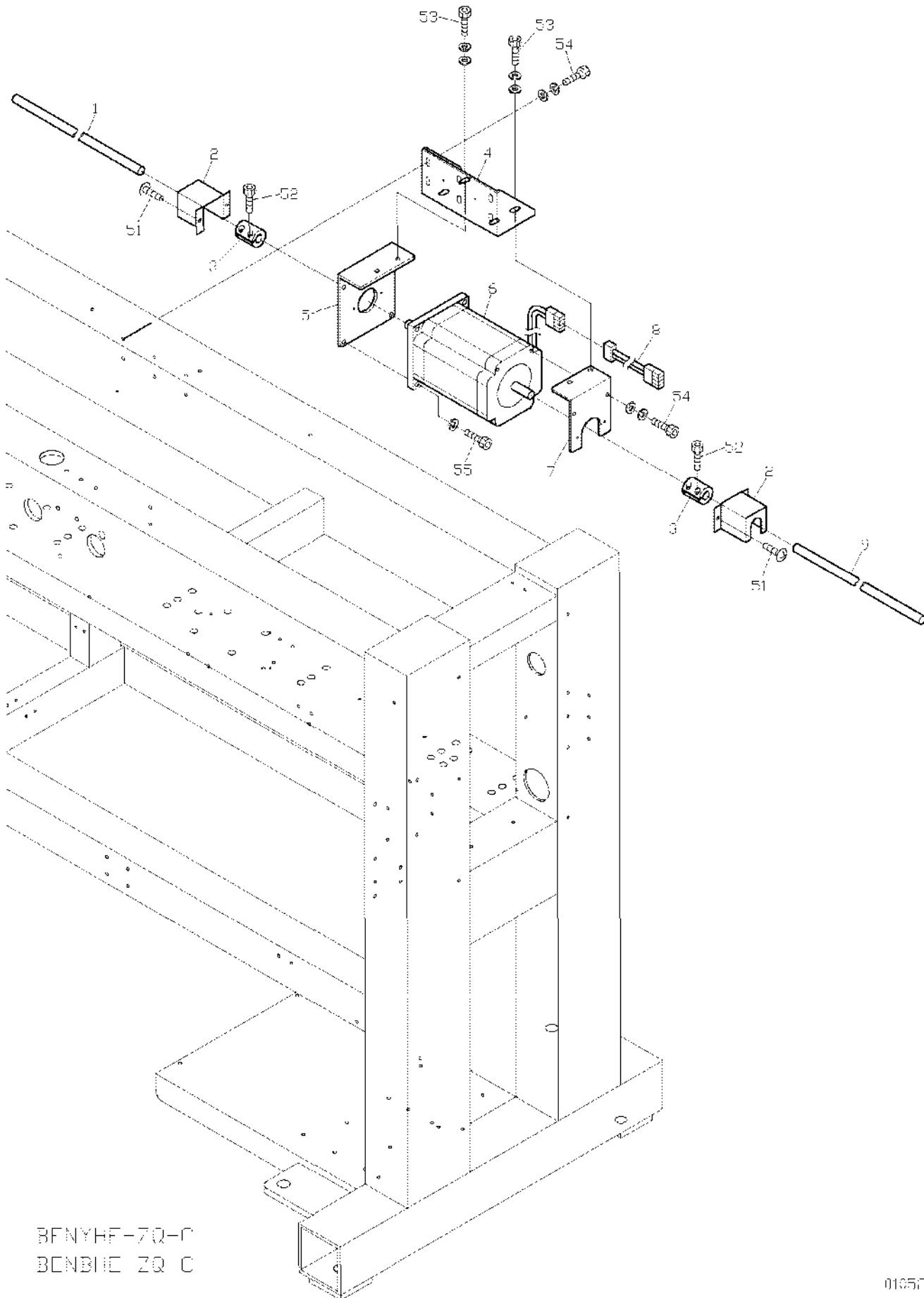
ITEM	LIST NO.	DESCRIPTION	Q'TY	NOTE
1	SC480330	H-rail base fixed stay(Rear)	1	
2	A9011244	Bearing unit(UFL002D)	1	
3	A9011243	Bearing unit(UFL002C)	1	
4	SC480320	H-rail base(ST=450)	1	
5	SC480210	H-rail base fixed stay(Front)	1	
6	SC250040	H-rail frou cover	1	
7	SC250070	H-rail side cover	2	
8	SC480040	LM guide(540L)	1	
9	HH481980	19 dia. clamp	1	
10	SC480000	Pantograph drive pulley(Rear)	1	
11	SC480020	Timing belt MA5	1	
12	HP482940	Timing belt set rack(5M)	2	
13	SC480050	Pulley bracket	1	
14	SC480030	Timing pulley shaft	1	
15	RP480200	Pulley stopper	1	
16	SC480010	Pantograph drive pulley(Front)	1	
17	A9012052	E-ring(10 dia.)	1	
18	SC480130	Guide base(L)	1	
19	SC480090	Guide stay(L)	1	
51		Hex.socket bolt M5x15(Uni chrome)		
52		Hex.socket bolt M6x20(Uni chrome)		
53		Hex.socket bolt M4x10(With spring washer)		
54		Hex.socket bolt M4x10(Uni chrome)		
55		Truss screw M4x6(Uni chrome)		
56		Hex.socket bolt M3x15(Black)		
57		Hex.socket bolt M5x20(Black)		
58		Hex.socket bolt M4x10(Black)		
59		Hex.cap nut M8(Uni chrome)		
60		Hex.bolt M4x30(Uni chrome)		
61		Hex.nut M4		
62		Hex.bolt M4x40(Uni chrome)		
63		Hex.socket bolt M4x12(Uni chrome)		



BFNYHF-70-C
BFNBHF-70-C

018529

1011 Pantograph drive H



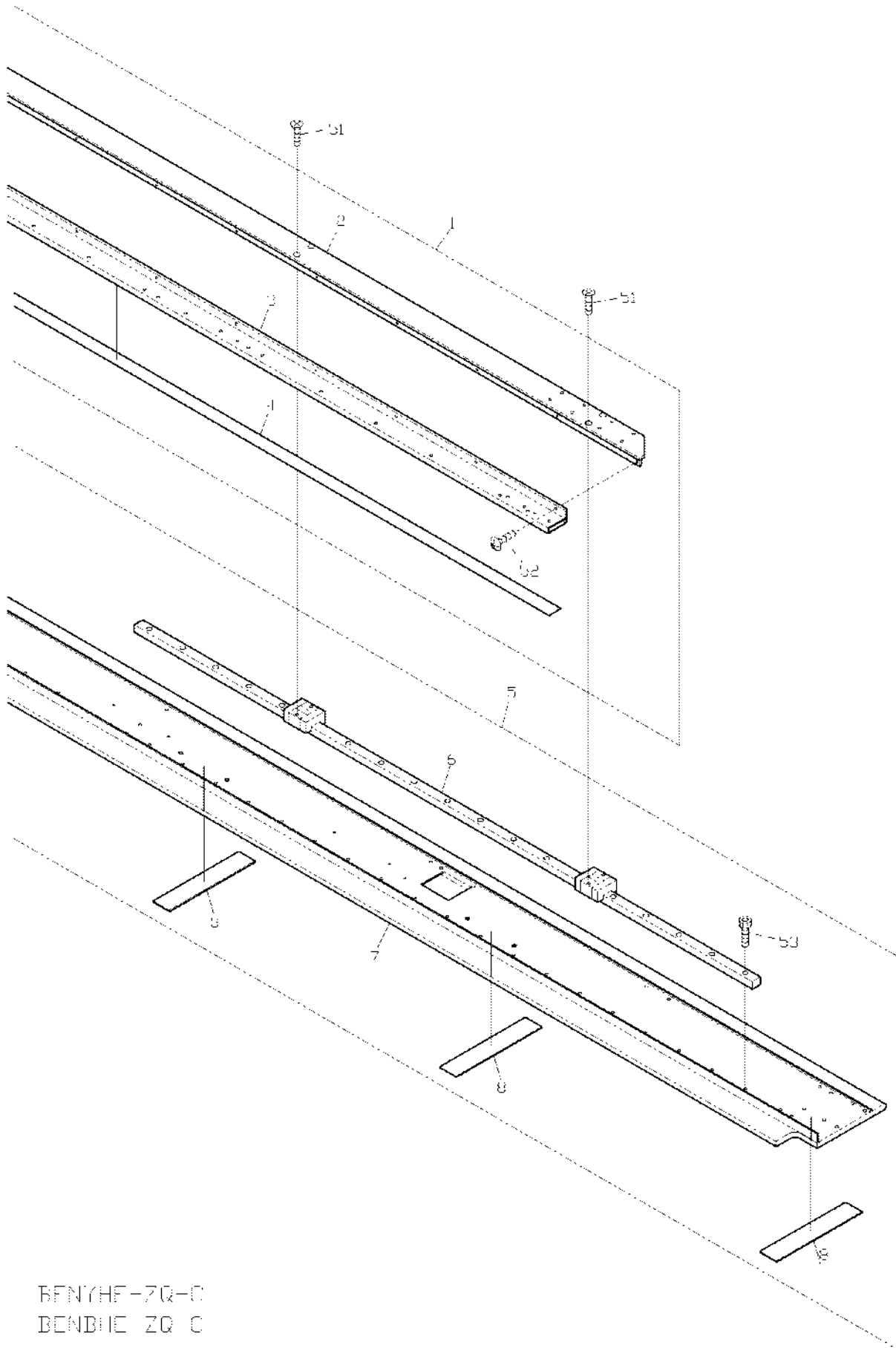
BFNYHE-70-C
BCNBIE ZQ C

010570

10H PANTOGRAPH DRIVE H

ITEM	LIST NO.	DESCRIPTION	Q'TY	NOTE
1	SC481140	H-pantograph drive shaft L.(For 4T)	1	4T
	SC480370	H-pantograph drive shaft L	1	6T
2	SC250030	Connecting cover	2	
3	HH481931	Pulse motor coupling	2	
4	SC480220	H-pulse motor bracket	1	
5	SC480340	H-pulse motor stay A	1	
6	HV480060	Pulse motor(TS3560N2)	1	
7	SC480350	H-pulse motor stay B	1	
8	EAY053A0	H2313 pulse motor convert cable for NY-B	1	
9	SC480360	H-pantograph drive shaft R	1	
51		Truss screw M4x6(Uni chrome)		
52		Hex.socket bolt M5x14(Black)		
53		Hex.socket bolt M8x20(Black)		
54		Hex.socket bolt M6x20(Black)		
55		Hex.socket bolt M8x25(Black)		

101 Pantograph drive I



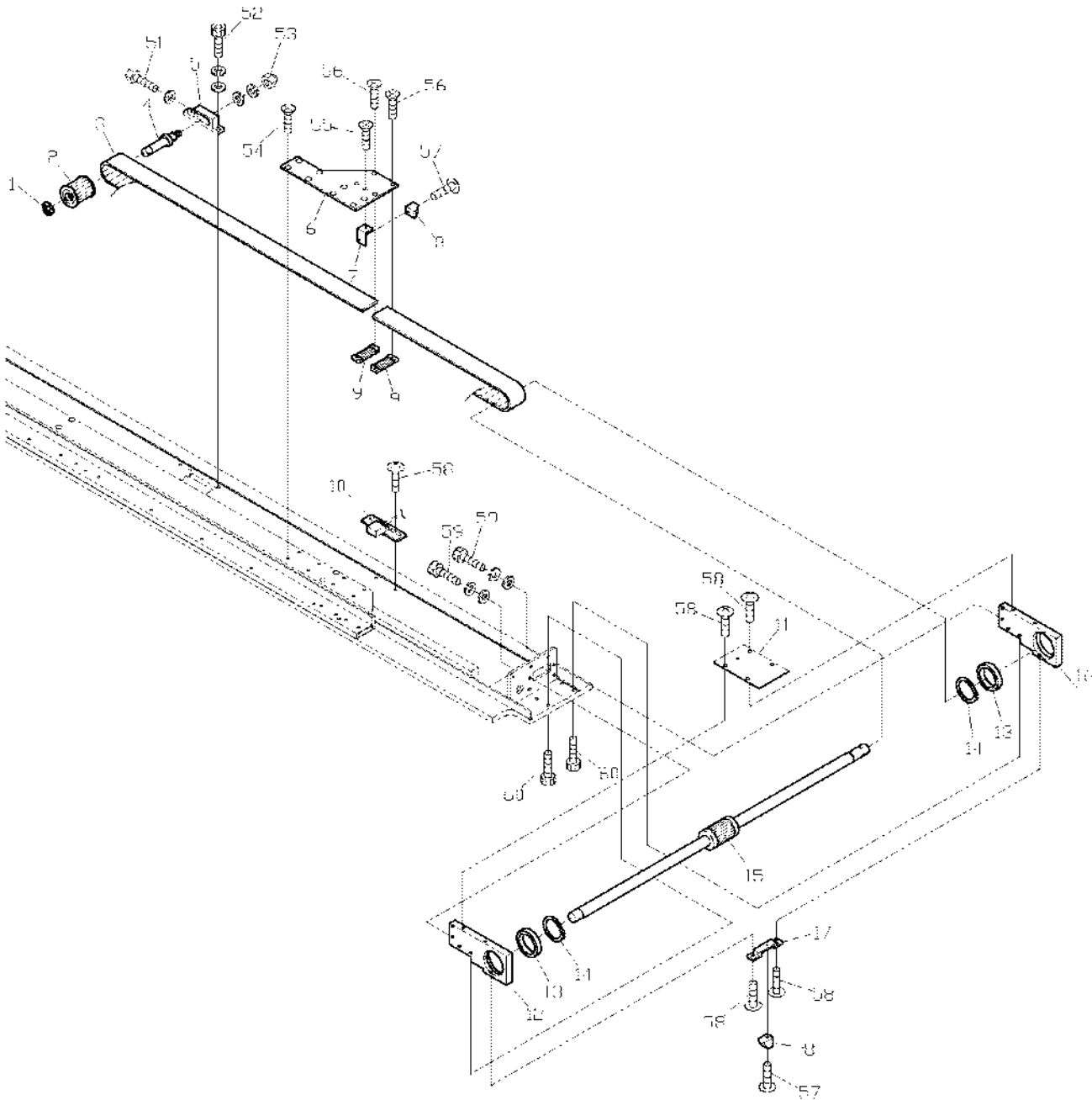
БЕНУНН-70-С
БЕННН 70 С

010021

10I PANTOGRAPH DRIVE I

ITEM	LIST NO.	DESCRIPTION	Q'TY	NOTE
1	SC481180	V-slide bracket a'ssy(4T,P=520)	1	4T
	SC481000	V-slide bracket a'ssy(6T,P=520)	1	6T
2	SC481150	V-slide base(For 4T) P=520	1	4T
	SC481030	V-slide base(For 6T) P=520	1	6T
3	SC481160	V-slide bracket(For 4T) P=520	1	4T
	SC481020	V-slide bracket(For 6T) P=520	1	6T
4	SC481170	Threshold slip(For 4T) P=520	1	4T
	SC481010	Threshold slip(For 6T) P=520	1	6T
5	SC481200	V-guide pantograph frame a'ssy(4T,P=520)	1	4T
	SC480800	V-guide pantograph frame a'ssy(6T,P=520)	1	6T
6	SC480820	LM guide(L=1120)	2	4T
			3	6T
7	SC481190	V-guide pantograph frame(For 4T) P=520	1	4T
	SC480810	V-guide pantograph frame(For 6T) P=520	1	6T
8	SC480830	V-guide felt(L=155)	6	4T
			8	6T
51		Flush screw M4x10		
52		Truss screw M3x8		
53		Hex.socket bolt M4x12(Black)		

10J Pantograph drive J



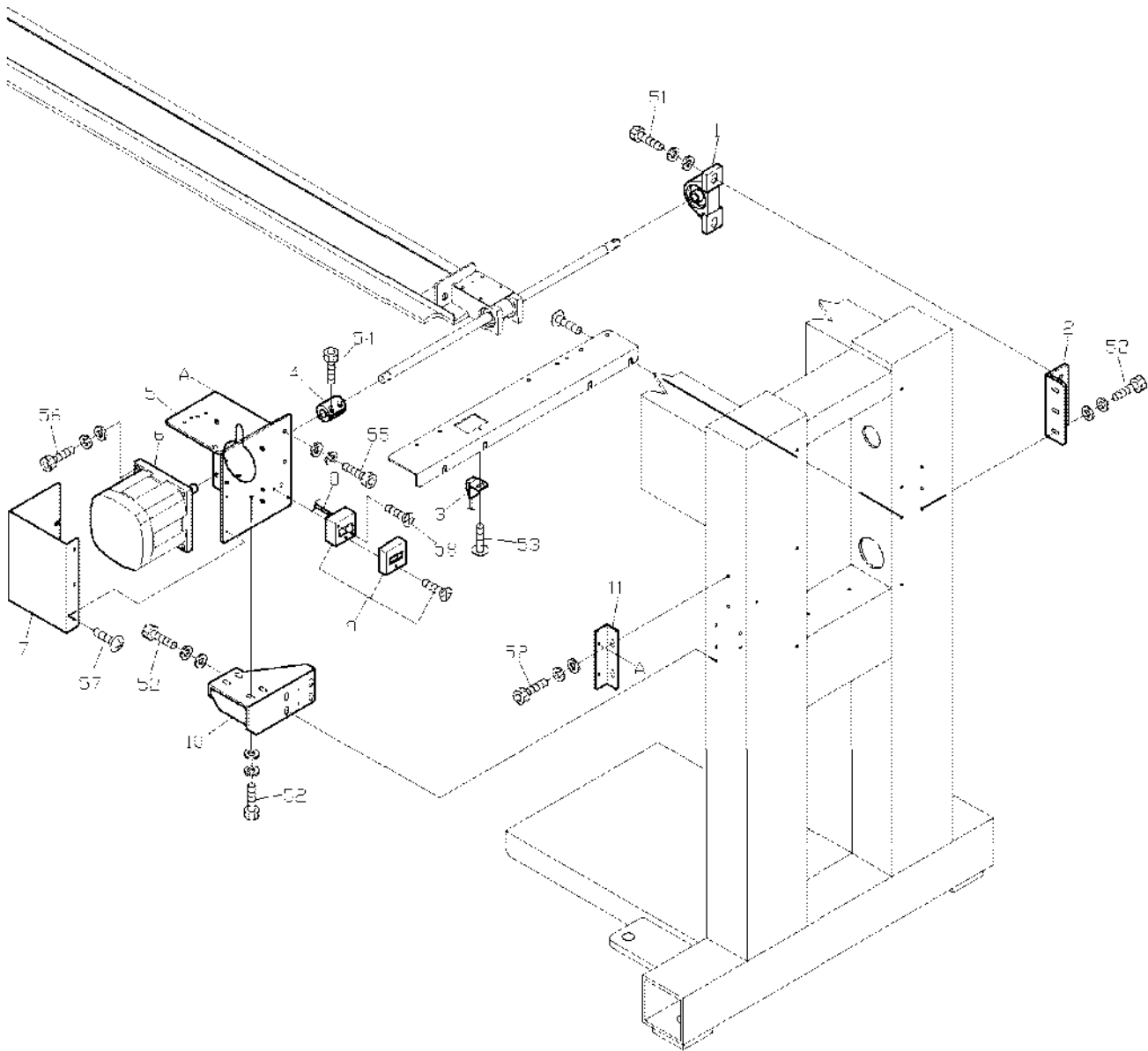
BFNYHF-7Q-C
BENBIE ZQ C

010029

10J PANTOGRAPH DRIVE J

ITEM	LIST NO.	DESCRIPTION	Q'TY	NOTE
1	A9012052	E-ring(10 dia.)	1	
2	SC480010	Pantograph drive pulley(Front)	1	
3	SC480020	Timing belt MA5	1	
4	SC480030	Timing pulley shaft	1	
5	SC480160	V-pulley bracket	1	
6	SC480260	V-guide base plate	1	
7	SC480190	V-side magnet fixed bracket a'ssy	1	
8	A9052030	Magnet M-102A-02	2	
9	HP482940	Timing belt set rack(5M)	2	
10	SC480200	V-side origin sensor bracket a'ssy	1	
11	SC480230	V-slide block plate	1	
12	SC480300	V-slide block R	1	
13	A9010061	Bearing No.6806	2	
14	A9012401	Stop ring S-30	2	
15	SC480280	Ball spline LT+pulley(S5M)	1	
16	SC480310	V-slide block L	1	
17	SC480240	V-slide block bar	1	
51		Hex.bolt M4x25		
52		Hex.socket bolt M5x15(Black)		
53		Hex.cap nut M8		
54		Flush screw M4x6		
55		Flush screw M3x8		
56		Flush screw M3x10		
57		Truss screw M3x8		
58		Truss screw M4x10		
59		Hex.socket bolt M4x10		
60		Hex.socket bolt M4x12		

10K Pantograph drive K



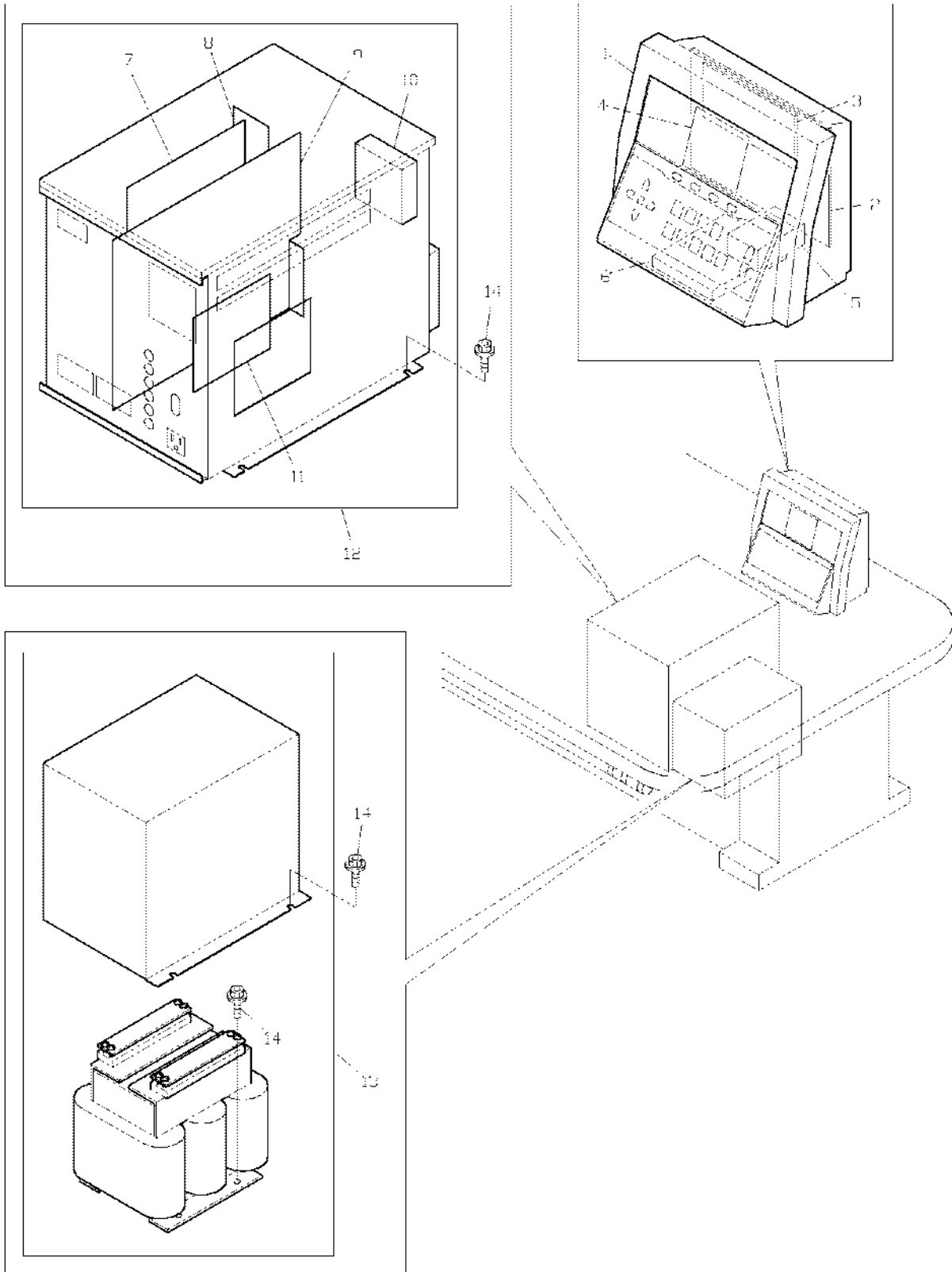
BFNYHE-70-C
BENBHE 20 C

010507

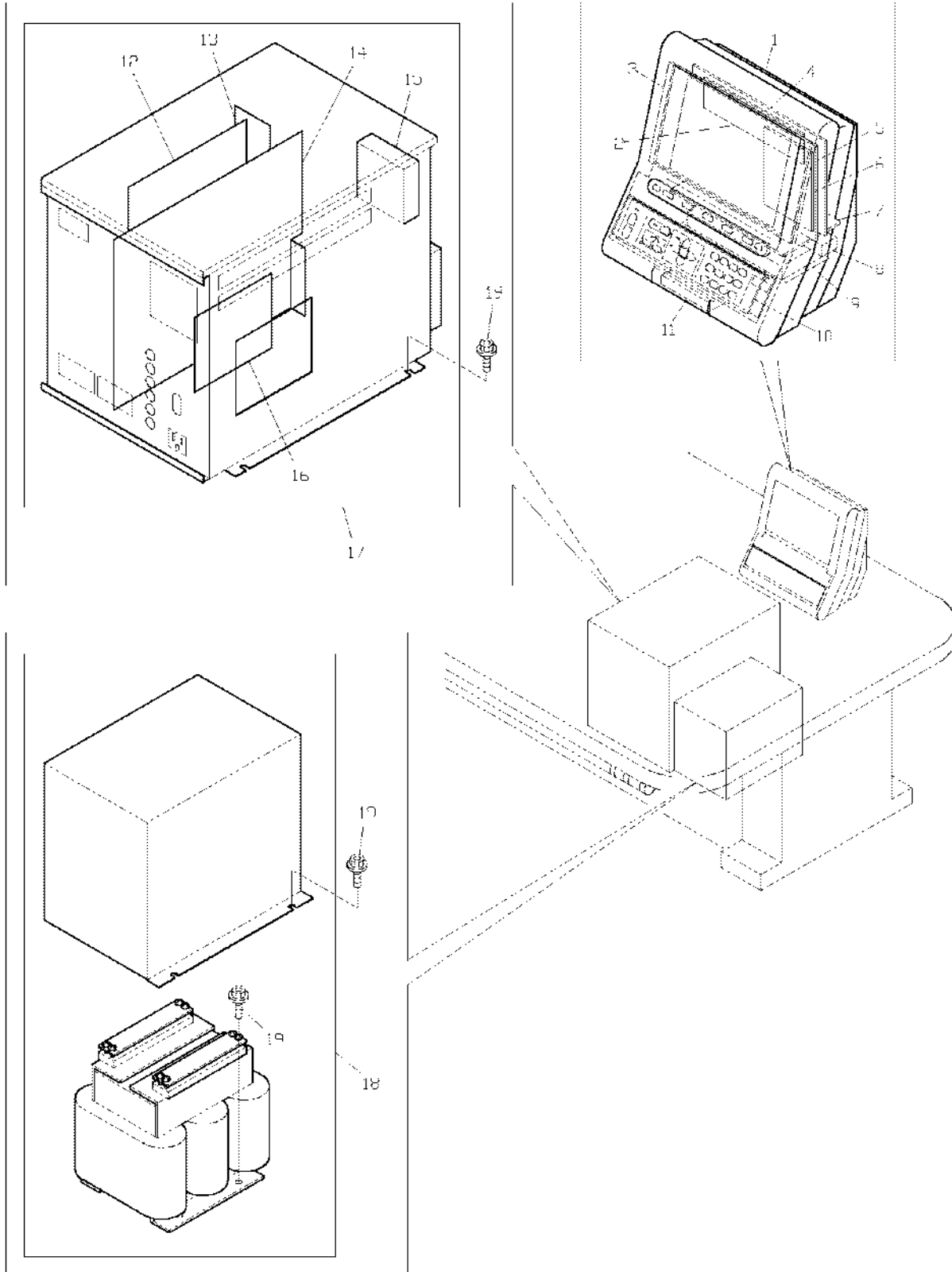
10K PANTOGRAPH DRIVE K

ITEM	LIST NO.	DESCRIPTION	Q'TY	NOTE
1	A9011242	Pillow unit(UCP202DE4)	1	
2	SC480070	Spline bearing bracket	1	
3	SC480180	H-side origin sensor bracket a'ssy	1	
4	HH481931	Pulse motor coupling	1	
5	SC480250	V-pulse motor stay	1	
6	SC480170	Pulse motor(TS3650N3)	1	
7	SC250060	V-pulse motor cover	1	
8	KW710060	Fluorescent lamp cable(100V)	1	
	KW710070	Fluorescent lamp cable(200V)	1	
9	A9052029	Exposure switch WS3001	1	
10	SC480060	V-pulse motor bracket	1	
11	SC480270	V-pulse motor stay bracket	1	
51		Hex.socket bolt M8x25(Black)		
52		Hex.socket bolt M6x18		
53		Truss screw M4x10		
54		Hex.socket bolt M5x14		
55		Hex.socket bolt M5x12		
56		Hex.socket bolt M8x22		
57		Truss screw M4x8		
58		Flush screw M4x12		

11A 1 Control A (NY)



BEHY-YN/YS BEHYMF-YN/YS BEHYMF-ZN/ZQ BEHYH-YN
 BENYH YN C BENYHC YN BENYHC ZQ BENYHC ZQ B

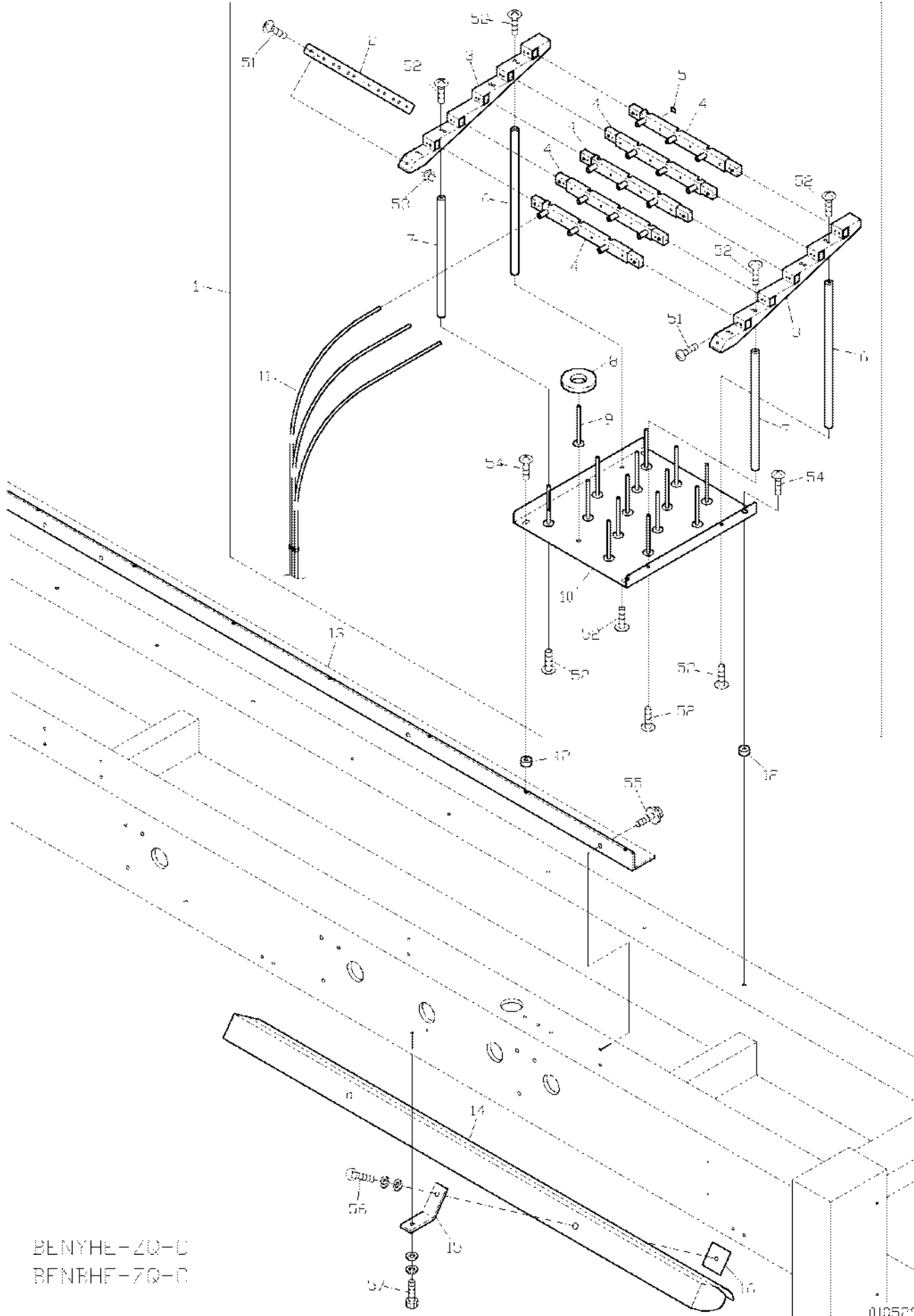


BENB-YN/YS BENBME-YN/YS BENBME-ZN/ZO BENBH-YN BENBHE-YN
 BENBH-YN-B BENBH-ZO-A BENBHE-ZO BENBHE-ZO-B BENBHE-ZO-C

11B CONTROL B

ITEM	LIST NO.	DESCRIPTION	Q'TY	NOTE
1	SC510070	Cable case L(For 4T)	1	4T
	SC510040	Cable case L	1	6T
2	SC510060	Cable case R(For 4T)	1	4T
	SC510030	Cable case R	1	6T
3	SC510020	Roof stad	6	
4		Flat cable	1	
5	EBY01625	Middle harness(Between duct and head)	Hx1	
6	EBY01663	8511 Duct board	Hx1	
7	A9068048	Locking guard spacer	Hx5	
51		Hex.socket flange bolt M6x12(Uni chrome)		
52		Hex.socket flange bolt M4x10(Uni chrome)		
53		Spring washer M6		

12 Accessories



BENYHE-20-C
BFNEHF-70-C

012570

12 ACCESSORIES

ITEM	LIST NO.	DESCRIPTION	Q'TY	NOTE
1	SC710000	Spool holder a'ssy	Hx1	Includes RD240430,RD240440, Hex.socket bolt M3x15
2	RD710370	Hose hold bracket	Hx1	
3	RD710340	Guide base (15 needles)	Hx2	
4	RD710330	Thread guide base	Hx5	
5	RD710380	Number seal	Hx1	
6	RD710361	Pillar B	Hx2	
7	RD710351	Pillar A	Hx2	
8	KF710390	Spool holder felt (8x34x70 dia.)	Hx15	
9	HT710000	Spool holder pin	Hx15	
10	SC710010	Spool holder base	Hx1	
11	RD710310	Spool tube DB2-6x4		Cut product
12	SC710030	Spool holder spacer	Hx4	
13	SC710040	Spool holder bracket(For 4T) P=520	1	
	SC710020	Spool holder bracket(For 6T) P=520	1	
14	RQ510080	Fluorescent lamp M-4111T7-A/B(100V)	1	4T
			2	6T
	RQ510090	Fluorescent lamp M-4111T8-C/D(200V)	1	4T
			2	6T
15	SC510000	Fluorescent lamp bracket	2	4T
			4	6T
16	HB710020	Fluorescent lamp mount plate	2	4T
			4	6T
51		Truss screw M4x10		
52		Truss screw M5x12		
53		Hex.nut M4		
54		Truss screw M6x20		
55		Hex.socket flange bolt M6x12(Uni chrome)		
56		Hex.bolt M6x20		
57		Hex.socket bolt M6x18(Uni chrome)		

INDEX

LIST No.	SECTION No.	ITEM	LIST No.	SECTION No.	ITEM
A9010003	08	7	A9014161	00A	7
A9010061	10J	13	A9014162	00A	11
A9010062	07	13	A9014163	00A	12
A9010063	07	20	A9014163	00B	16
A9010065	04B	31	A9019008	04D	12
A9010073	03B	6	A9019009	04D	9
A9011111	01A	14	A9019049	00A	15
A9011173	02A	24	A9020180	08	5
A9011242	10K	1	A9052028	02C	3
A9011243	10C	5	A9052029	10K	9
A9011243	10D	2	A9052030	10J	8
A9011243	10E	2	A9052078	02B	4
A9011243	10F	3	A9052080	04D	14
A9011244	10C	6	A9052081	04D	8
A9011244	10F	2	A9053077	06A	17
A9012002	02B	8	A9053079	07	2
A9012027	01A	25	A9053081	08	3
A9012052	10C	20	A9053082	02B	32
A9012052	10D	16	A9054040	02B	1
A9012052	10E	16	A9056030	02A	19
A9012052	10F	17	A9056031	02C	1
A9012052	10J	1	A9056036	05	6
A9012053	04B	34	A9056037	02D	21
A9012063	08	9	A9060063	07	17
A9012066	08	6	A9065088	02B	13
A9012068	07	12	A9065092	07	6
A9012127	02D	30	A9065093	07	7
A9012127	04B	7	A9068030	10C	3
A9012127	07	19	A9068032	06A	9
A9012154	01A	5	A9068048	11B	7
A9012208	07	4	A9068049	10C	22
A9012368	02D	14	A9068050	10C	23
A9012368	04B	21	EAY033A1	11A-1	1
A9012401	10J	14	EAY038A1	11A-2	1
A9012412	06A	3	EAY046A2	11A-2	17
A9012412	06B	3	EAY046A3	11A-2	18
A9012421	03B	7	EAY046A4	11A-2	19
A9012433	10A-2	5	EAY047A3	11A-2	18
A9012433	10B-2	9	EAY051A2	11A-1	12
A9013066	02A	10	EAY051A3	11A-1	13
A9013070	00B	6	EAY052A3	11A-1	13
A9014059	01A	7	EAY053A0	10H	8
A9014154	04D	10	EBY01240	11A-1	3
A9014155	04D	11	EBY01270	11A-1	5
A9014158	02C	18	EBY01350	11A-1	6

INDEX

LIST No.	SECTION No.	ITEM	LIST No.	SECTION No.	ITEM
EBY01350	11A-2	11	HB240020	05	8
EBY01380	11A-2	8	HB240030	05	9
EBY01530	11A-2	5	HB240041	05	10
EBY01540	11A-2	4	HB560060	05	12
EBY01550	11A-2	2	HB560080	05	11
EBY01560	11A-2	7	HB560211	05	13
EBY01570	11A-2	10	HB710020	12	16
EBY01580	11A-2	6	HH481931	10H	3
EBY01590	11A-2	9	HH481931	10K	4
EBY01600	11A-2	3	HH481980	10C	12
EBY01620	11A-1	7	HH481980	10D	8
EBY01620	11A-2	12	HH481980	10E	8
EBY01641	06A	14	HH481980	10F	9
EBY01650	07	3	HM140120	00B	8
EBY01663	11B	6	HM270000	02A	27
EBY01690	06A	13	HM270010	02B	6
EBY01700	06A	15	HN270010	02B	16
EBY01720	06B	9	HP220712	01A	6
EBY01890	11A-2	14	HP231370	04B	17
EBY01900	11A-2	13	HP321082	01A	12
EBY01910	11A-2	16	HP321090	01A	13
EBY02200	11A-1	4	HP321710	01B	5
EBY02220	11A-1	2	HP321720	01B	1
EBY02230	11A-1	8	HP482940	10C	15
EBY02240	11A-1	9	HP482940	10D	11
EBY02250	11A-1	11	HP482940	10E	11
FA904147	11A-1	10	HP482940	10F	12
FA904147	11A-2	15	HP482940	10J	9
FN070011SNY	04A	25	HS210020	01A	1
FR92300290A380A	10B	1	HS210021	01A	1
FR92300290A380A	10B-2	1	HS210030	01A	24
FR92460434A520A	10B	1	HS210042	01A	11
FR92460434A520A	10B-2	1	HS210050	02A	15
HB220010	01A	21	HS210060	02A	20
HB230070	03B	8	HS210061	02A	20
HB230080	03B	9	HS210070	02A	18
HB230200	04B	11	HS210080	02A	23
HB230220	04C	10	HS210090	02A	25
HB230261	04C	9	HS210100	02A	14
HB230271	04C	3	HS210111	02A	12
HB230281	04C	7	HS210121	02A	13
HB230361	04C	6	HS210142	02A	16
HB230620	03B	12	HS210143	02A	16
HB230650	03B	17	HS210190	01A	10
HB230800	03B	15	HS210200	01A	18

INDEX

LIST No.	SECTION No.	ITEM	LIST No.	SECTION No.	ITEM
HS210230	01A	17	HT710000	12	9
HS210280	01A	17	HV310220	08	2
HS270030	02B	2	HV480060	10H	6
HS270070	02B	31	KC250482	01A	19
HS270110	02B	15	KC270101	02D	32
HT230120	04A	21	KC270970	02A	11
HT230220	05	4	KC271001	02A	17
HT230263	04A	13	KC271430	02B	12
HT230280	04B	24	KC271940	02A	22
HT230290	04B	19	KC330180	02B	3
HT230320	04B	18	KC330410	02B	10
HT230330	04A	12	KC330510	02B	9
HT230340	04B	26	KF220220	01A	4
HT230380	04C	5	KF220230	01A	3
HT230410	04C	8	KF220240	01A	20
HT230420	04C	11	KF220290	01A	2
HT230450	04B	9	KF220302	01A	23
HT230460	04B	14	KF220421	01A	22
HT230470	04B	4	KF220530	01A	22
HT230480	04B	15	KF220700	01A	21
HT230490	04B	5	KF220981	01A	23
HT230500	04B	16	KF230501	03B	24
HT230510	04B	12	KF230530	04B	8
HT230520	02D	13	KF230582	02D	2
HT230520	04B	20	KF230680	03B	23
HT230560	04B	25	KF230910	04A	20
HT230590	04C	1	KF230920	04A	15
HT230600	04C	14	KF250220	02D	7
HT230610	04C	13	KF250231	02D	9
HT230620	05	3	KF250241	02D	8
HT230720	04C	15	KF250250	02D	10
HT230730	04B	6	KF710390	12	8
HT230750	04B	3	KF730500	10A-1	3
HT230760	04B	10	KF730500	10A-2	3
HT230770	04B	13	KF730500	10B	9
HT240101	06B	15	KF730500	10B-2	12
HT240240	06A	7	KF730750	10A-1	1
HT240290	06B	12	KF730750	10A-2	1
HT240300	06B	4	KF730760	10A-1	2
HT240310	06B	13	KF730760	10A-2	2
HT240480	06A	5	KL220140	01A	8
HT240480	06B	6	KL270081	02C	4
HT270063	02D	22	KL270091	02C	8
HT270160	02A	5	KL270101	02C	9
HT270180	02A	6	KL270110	02C	6

INDEX

LIST No.	SECTION No.	ITEM	LIST No.	SECTION No.	ITEM
KL270120	02C	10	KX510140	04D	15
KL270130	02C	11	LA210080	01A	18
KL270260	02C	2	LA230281	03A	7
KL270450	02C	7	LA270070	02D	12
KN270952	02A	9	LA330160	04D	1
KN270961	02A	7	LA730590	10B	6
KN271560	02A	26	LA730590	10B-2	6
KN271750	02B	7	LA730610	10B	4
KN271782	02B	5	LA730610	10B-2	4
KN272350	02B	17	LA730620	10B	7
KN272401	02A	21	LA730630	10B	5
KN272401	02C	5	LA730630	10B-2	5
KN511020	01B	3	LA730640	10B	8
KN540510	06B	14	LA730650	10B	3
KV230040	04A	11	LA730650	10B-2	3
KW710060	10K	8	LA730680	10B	2
KW710070	10K	8	MT272500	02A	27
KX230050	04B	30	RA130250	04D	13
KX230080	04B	33	RA130280	04D	13
KX230120	03A	5	RD230020	04A	1
KX230141	03A	2	RD230031	04A	2
KX230152	03A	1	RD230050	04B	29
KX230192	04A	3	RD230060	04A	17
KX230251	04A	14	RD230080	03A	4
KX230310	03A	6	RD230111	04D	3
KX250080	01A	9	RD230130	03B	19
KX250080	02A	2	RD230150	04B	2
KX270000	02A	28	RD230170	04A	8
KX270010	02A	8	RD230180	04A	4
KX270022	02A	4	RD230191	05	5
KX270070	02C	14	RD230201	03A	3
KX270090	02D	4	RD230230	04B	32
KX270100	02D	6	RD230240	04B	28
KX270110	02D	5	RD230250	05	7
KX270120	02D	3	RD230340	05	1
KX270282	02A	1	RD230370	04A	18
KX270290	02D	17	RD230480	04A	7
KX270300	02D	19	RD230490	04A	9
KX270310	02D	18	RD240022	06A	12
KX270320	02D	16	RD240030	06A	8
KX270340	02D	11	RD240051	06A	21
KX270350	02D	20	RD240090	06A	24
KX270360	02D	15	RD240111	06A	11
KX270430	02A	29	RD240121	06A	16
KX330020	04D	2	RD240130	06A	22

INDEX

LIST No.	SECTION No.	ITEM	LIST No.	SECTION No.	ITEM
RD240153	06A	10	RH230320	03B	28
RD240171	06A	23	RH230330	03B	27
RD240181	06A	25	RH230410	04A	10
RD240271	04D	6	RH230440	04A	22
RD240280	06A	6	RH230450	04A	24
RD240291	06A	1	RH230460	04A	23
RD240291	06B	1	RH230540	04B	23
RD240301	06A	2	RH230550	04B	22
RD240301	06B	2	RH230610	03B	25
RD240320	06A	4	RH230801	03B	22
RD240320	06B	5	RH230810	03B	21
RD240330	06A	18	RN230000	03B	1
RD240340	06A	19	RN230010	03B	2
RD240430	06A	37	RN230020	03B	3
RD240430	06B	21	RN230030	03B	4
RD240440	06A	38	RN230040	03B	5
RD240440	06B	22	RN230060	03B	1
RD250010	04D	5	RN230070	03B	10
RD250020	04D	5	RP310170	08	1
RD250030	04D	5	RP480200	10C	18
RD250040	04D	16	RP480200	10D	14
RD250070	04D	7	RP480200	10E	14
RD250080	04A	5	RP480200	10F	15
RD270010	02D	33	RQ120080	00B	4
RD270020	02C	13	RQ250000	04D	13
RD270032	02C	15	RQ250010	04D	13
RD270040	02C	12	RQ310000	08	8
RD270050	02D	1	RQ480250	10A-1	5
RD270060	02D	34	RQ510080	12	14
EBY01625	11B	5	RQ510090	12	14
RD540010	06B	7	RR240150	06A	12
RD540050	06B	11	RR240160	06A	8
RD540060	06B	10	RR240170	06A	6
RD710310	12	11	RR240180	06A	7
RD710330	12	4	RR240190	06B	7
RD710340	12	3	RR240200	06B	11
RD710351	12	7	RV210000	03B	26
RD710361	12	6	RV230010	04A	16
RD710370	12	2	RV230020	04B	1
RD710380	12	5	RV230030	04A	19
RH230271	03B	14	RV230040	04A	6
RH230280	03B	13	RV230050	05	2
RH230290	03B	10	RV230060	03B	18
RH230300	03B	11	RV230070	03B	16
RH230311	03B	20	RV230120	04A	6

INDEX

LIST No.	SECTION No.	ITEM	LIST No.	SECTION No.	ITEM
RV230130	04A	16	SC250000	8	18
RV230180	04C	12	SC250010	8	22
RV230190	04C	4	SC250020	02B	14
RV230200	04C	2	SC250030	10H	2
RV230250	04B	27	SC250040	10C	9
RV250060	04A	5	SC250040	10D	5
RV250070	04D	4	SC250040	10E	5
RV250090	02C	16	SC250040	10F	6
RV250111	02C	17	SC250050	10C	1
RV250121	02C	19	SC250060	10K	7
SC120000	00B	2	SC250070	10C	10
SC120010	00B	7	SC250070	10D	6
SC120020	00B	9	SC250070	10E	6
SC120030	00B	1	SC250070	10F	7
SC120040	00B	3	SC250080	01B	4
SC120050	00B	2	SC270000	02B	11
SC130000	08	21	SC310000	08	17
SC140000	00B	14	SC310010	08	14
SC140010	00B	19	SC310020	08	10
SC140020	00B	18	SC310030	08	11
SC140030	00B	17	SC310040	08	12
SC140040	00B	15	SC310050	08	15
SC140050	00A	3	SC310060	08	13
SC140060	00A	1	SC310070	08	19
SC140070	00A	2	SC310080	08	23
SC140080	00A	9	SC310090	08	20
SC140090	00B	5	SC310100	08	16
SC140100	00B	10	SC310110	08	23
SC140110	00A	8	SC310120	08	20
SC140120	00A	6	SC330010	07	11
SC140130	00A	5	SC330020	07	22
SC140140	00B	12	SC330030	07	21
SC140150	00B	11	SC330040	07	10
SC140160	00A	13	SC330050	07	15
SC140170	00A	14	SC330060	07	16
SC140180	00A	10	SC330070	07	9
SC160000	00A	4	SC330080	07	8
SC160010	00A	16	SC330090	07	14
SC160020	00A	17	SC330100	07	5
SC160030	00A	18	SC330110	07	1
SC160040	08	4	SC330120	07	18
SC160060	00A	4	SC330130	01B	2
SC210000	01A	15	SC480000	10C	13
SC210010	00B	13	SC480000	10D	9
SC210010	01A	16	SC480000	10E	9

INDEX

LIST No.	SECTION No.	ITEM	LIST No.	SECTION No.	ITEM
SC480000	10F	10	SC480240	10J	17
SC480010	10C	19	SC480250	10K	5
SC480010	10D	15	SC480260	10J	6
SC480010	10E	15	SC480270	10K	11
SC480010	10F	16	SC480280	10J	15
SC480010	10J	2	SC480290	10C	2
SC480020	10C	14	SC480300	10J	12
SC480020	10D	10	SC480310	10J	16
SC480020	10E	10	SC480320	10C	7
SC480020	10F	11	SC480320	10D	3
SC480020	10J	3	SC480320	10E	3
SC480030	10C	17	SC480320	10F	4
SC480030	10D	13	SC480330	10C	4
SC480030	10E	13	SC480330	10D	1
SC480030	10F	14	SC480330	10E	1
SC480030	10J	4	SC480330	10F	1
SC480040	10C	11	SC480340	10H	5
SC480040	10D	7	SC480350	10H	7
SC480040	10E	7	SC480360	10H	9
SC480040	10F	8	SC480370	10H	1
SC480050	10C	16	SC480800	10I	5
SC480050	10D	12	SC480810	10I	7
SC480050	10E	12	SC480820	10I	6
SC480050	10F	13	SC480830	10I	8
SC480060	10K	10	SC481000	10I	1
SC480070	10K	2	SC481010	10I	4
SC480080	10C	24	SC481020	10I	3
SC480090	10F	19	SC481030	10I	2
SC480100	10D	18	SC481040	10G	1
SC480110	10E	18	SC481050	10G	2
SC480120	10C	21	SC481060	10G	3
SC480130	10F	18	SC481070	10G	7
SC480140	10D	17	SC481080	10G	4
SC480150	10E	17	SC481090	10G	10
SC480160	10J	5	SC481100	10G	9
SC480170	10K	6	SC481110	10G	8
SC480180	10K	3	SC481120	10G	5
SC480190	10J	7	SC481130	10G	6
SC480200	10J	10	SC481140	10H	1
SC480210	10C	8	SC481150	10I	2
SC480210	10D	4	SC481160	10I	3
SC480210	10E	4	SC481170	10I	4
SC480210	10F	5	SC481180	10I	1
SC480220	10H	4	SC481190	10I	7
SC480230	10J	11	SC481200	10I	5

INDEX

LIST No.	SECTION No.	ITEM	LIST No.	SECTION No.	ITEM
SC510000	12	15			
SC510020	11B	3			
SC510030	11B	2			
SC510040	11B	1			
SC510060	11B	2			
SC510070	11B	1			
SC710000	12	1			
SC710010	12	10			
SC710020	12	13			
SC710030	12	12			
SC710040	12	13			
SC730000	10A-1	7			
SC730000	10A-2	8			
SC730010	10A-1	4			
SC730010	10A-2	4			
SC730020	10A-1	6			
SC730030	10A-2	7			
SC730041	10A-2	6			
SC730050	10A-1	4			
SC730050	10A-2	4			
SC730060	10A-1	7			
SC730060	10A-2	8			
SC730090	10B-2	2			
SC730101	10B-2	7			
SC730111	10B-2	8			
SC730121	10A-2	9			
SC730121	10B-2	10			
SC730131	10A-2	10			
SC730131	10B-2	11			